

brother

PARTS BOOK

DB2-B707





High Speed Single Needle Straight Stitcher
with Automatic Thread Trimmer



BROTHER INDUSTRIES, LTD.
NAGOYA, JAPAN

From the library of: Superior Sewing Machine & Supply LLC



Notes for using this parts book

1. If the symbol  is found in the "Parts No." column or the "Assembly No." column, refer to the different parts list on page 19.
2. The symbol  in the "Parts No." column indicates that the parts is not available for supply. If, however, there is a number in the "Assembly No." column, the parts can be ordered as an assembly. Please, therefore, order by using the Assembly No.
3. This book was prepared based on information available in May, 1982.
4. Parts are subject to changes in design without prior notice.



Anmerkungen zum Gebrauch dieses Stücklistebuches

1. Dieses Zeichen  in der Spalte "Parts No. (Teilnummer)" oder "Assembly No. (Gerätesatznummer)" verweist auf die Gesonderte Stückliste auf Seite 19.
2. Dieses Zeichen  in der Spalte "Teilnummer" bedeutet, daß dieser Teil nicht lieferbar ist. Wenn Jedoch in der Spalte "Gerätesatznummer" eine Nummer steht, kann dieser Teil als ein Geräteteilsatz bestellt werden. Bestellen Sie daher bitte mit dieser Gerätesatznummer.
3. Dieses Buch basiert auf den Informationen vom Mai, 1982.
4. Modelländerungen sind vorbehalten.

Notes sur l'utilisation de ce manuel de pièces détachées

1. Si le symbole  se trouve dans la colonne "Parts No. (N° de pièce)" ou dans la colonne "Assembly No. (N° jeu de pces)", veuillez vous référer à la liste de pièces annexe page 19.
2. Le symbole  dans la colonne "N° de pièce" signifie que la pièce ne peut être fournie. Si, dans la colonne "N° jeu de pces", il y a un numéro de nomenclature, la pièce peut être commandée comme faisant partie d'un jeu de pièces. Donc, pour toute commande, veuillez spécifier le N° du jeu de pièces.
3. Ce manuel a été fait d'après les renseignements valables au mois de Mai, 1982.
4. Les pièces peuvent être sujettes à des modifications sans préavis.

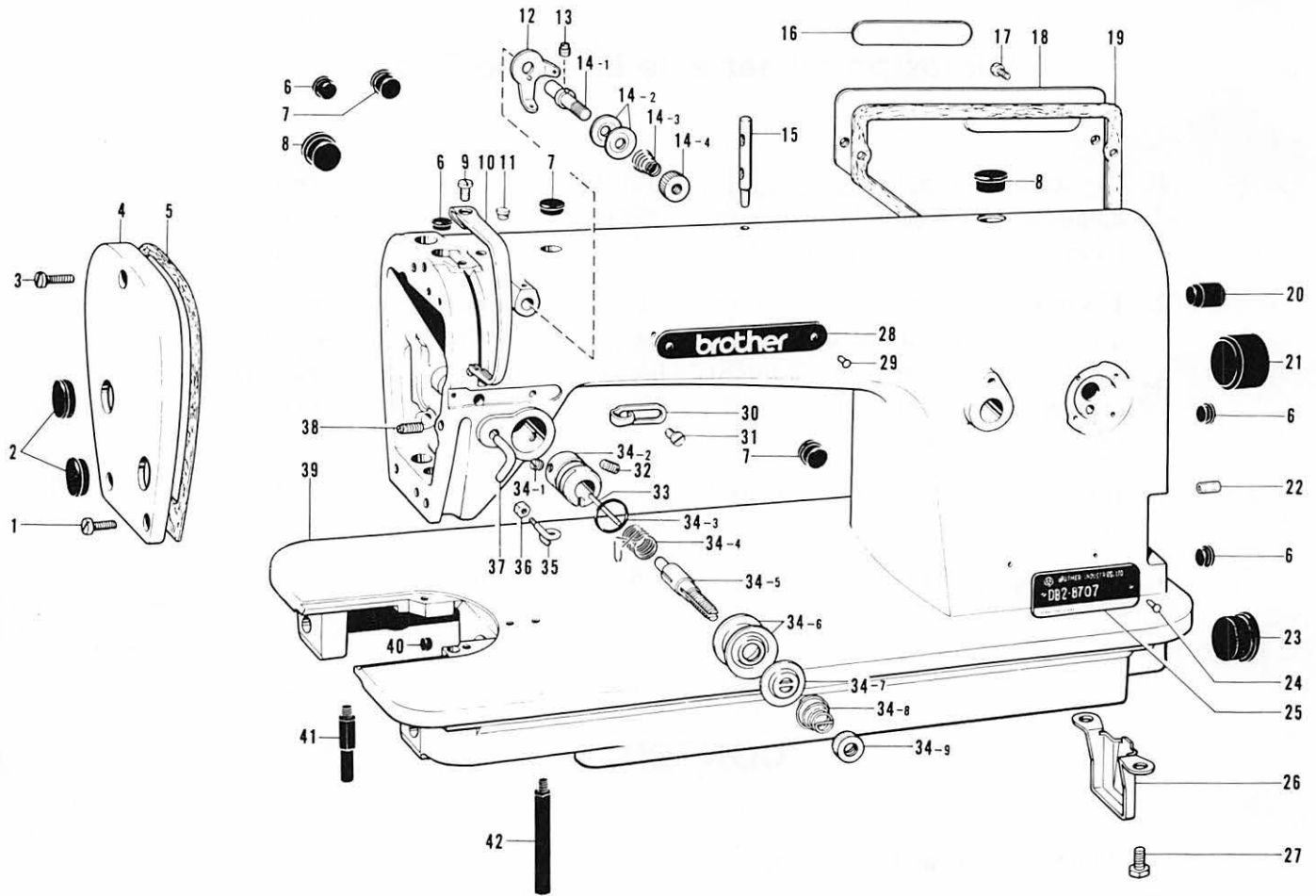
Notas para usar este Libro de Piezas

1. De haber un símbolo  junto al "Parts No. (Número de Pieza)" o en la columna del "Assembly No. (Número de Juego)", habrá que mirar la lista de piezas separada de la página 19.
2. El símbolo , que se encuentra en la columna del "Número de Pieza", quiere decir que no se dispone de dicha pieza sola. Cuando, empero, hay un número en la columna del "Número de Juego", se podrá ordenar la pieza con todo el juego. Por lo tanto, será mejor hacer el pedido recurriendo al número del juego respectivo.
3. Este libro ha sido compilado basándose en los datos de que se disponía en Mayo de 1982.
4. Las piezas quedan sujetas a cambios de diseño sin aviso previo.

CONTENTS

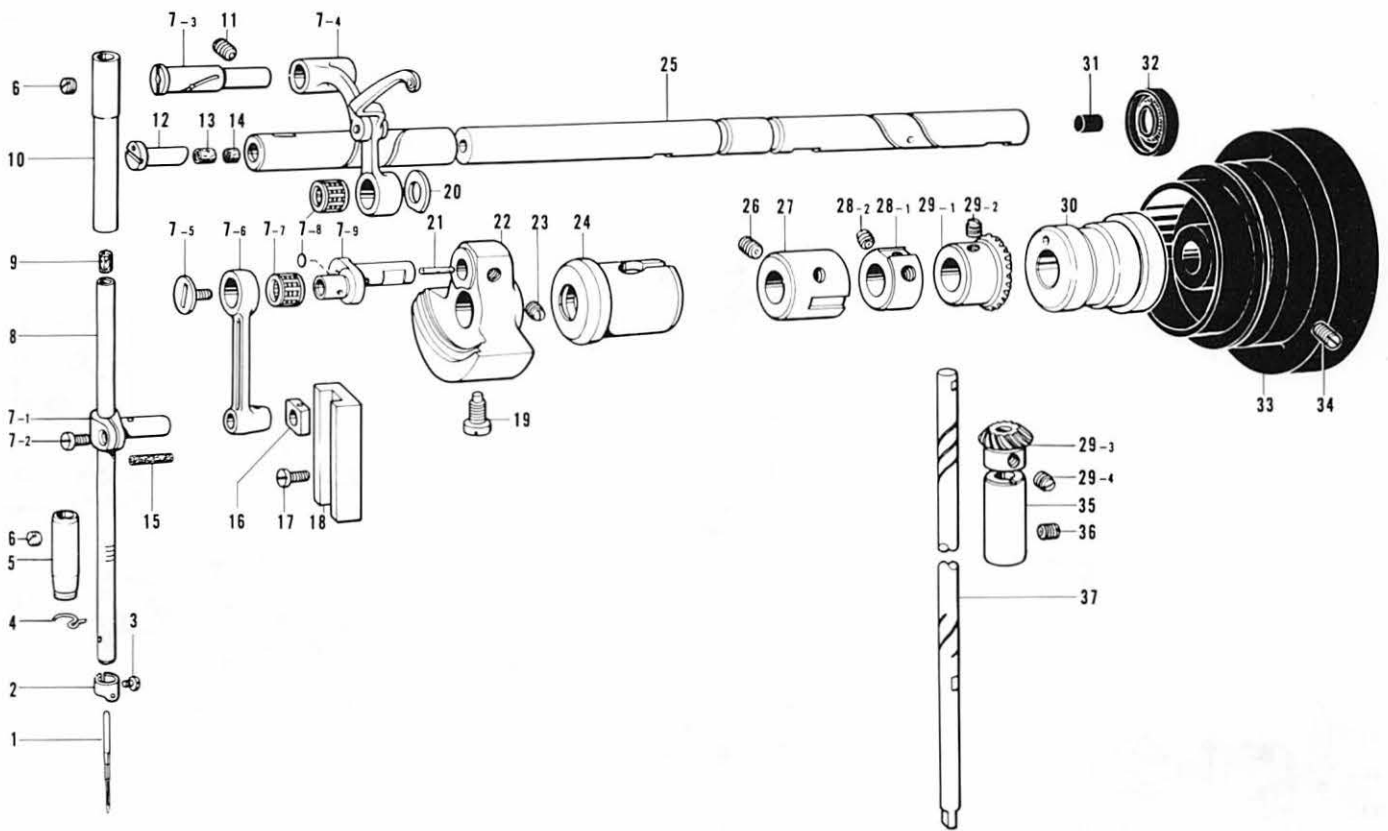
A. Machine Body and Threading	1
B. Needle Bar, Thread Take-up and Rotary Hook Mechanism (1)	2
B. Needle Bar, Thread Take-up and Rotary Hook Mechanism (2)	3
C. Feed Mechanism (1)	4
C. Feed Mechanism (2)	5
D. Presser Foot and Knee Lifter Mechanism	6
E. Lubrication	7
F. Thread Trimmer and Tension Release Mechanism	8
G. Synchronizer	9
H. Thread Wiper Mechanism -200, -400, -700, -900	10
J. Quick Back Mechanism -400, -700, -900	11
K. Presser Foot Lifter <Air Type> Mechanism -700	12
L. Knee Lifter Switch Mechanism -700	13
M. Presser Foot Lifter <Solenoid Type> Mechanism -900	14
N. Control Box -900	15
P. Bobbin Winder Mechanism -900	16
Z. Accessories	17
a ~ c. Option Parts List	18
DIFFERENT PARTS LIST	19
INDEX	20

A. Machine Body and Threading



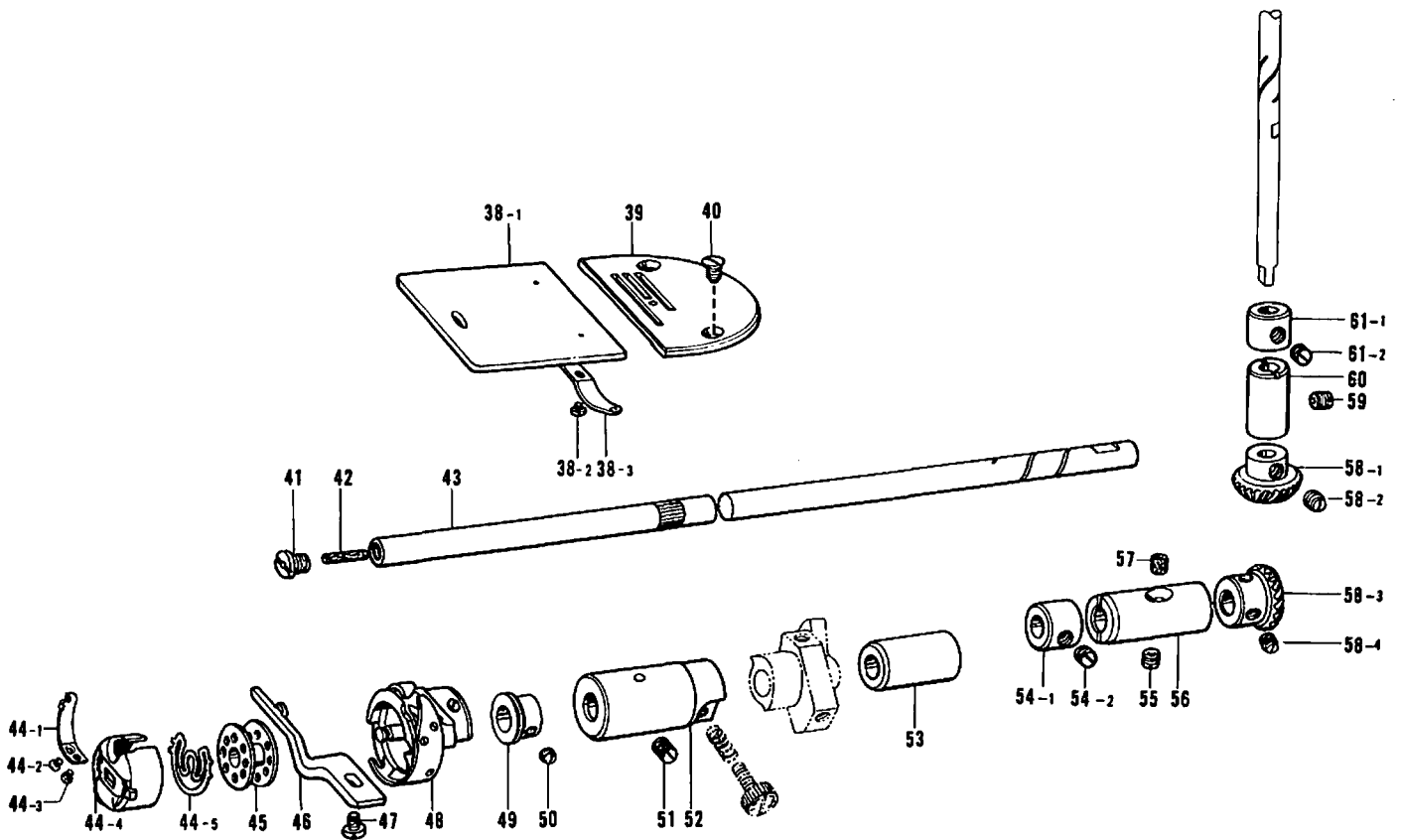
Ref. No.	Name of Parts	Q'ty	Parts No.	Assembly No.	Ref. No.	Name of Parts	Q'ty	Parts No.	Assembly No.
A-1	Screw 3.57 x 10	2	009672-0-12		A-25	Model Plate	1		
A-2	Oil Cap	2	104449-0-01		A-26	Pump Cover	1	118672-0-01	
A-3	Screw 3.57 x 18	1	009671-8-12		A-27	Bolt 7.14	2	140704-0-01	
A-4	Face Plate	1	145523-0-02		A-28	Name Plate	1		
A-5	Packing	1	145527-0-00		A-29	Pin	2		
A-6	Oil Cap	4	104450-0-01		A-30	Thread Guide R	1	145522-0-01	
A-7	Oil Cap	3	104821-0-01		A-31	Screw 3.57 x 6	1	009670-6-12	
A-8	Oil Cap	2	104449-0-01		A-32	Screw 5.95	1	103950-0-03	
A-9	Screw 4.37 x 7	1	009680-7-12		A-33	Tension Release Pin	1	150551-0-00	
A-10	Thread Take-up Cover	1	140885-0-04		A-34-1	Screw 3.57	1	100402-0-04	
A-11	Oil Cap	1	111865-0-01		A-34-2	Upper Tension Regulator Bracket	1	144741-0-01	A-34 Tension Regulator Assembly
A-12	Thread Guide	1	154563-0-01		A-34-3	O Ring	1	114294-0-01	
A-13	Screw 4.37	1	151602-0-02		A-34-4	Thread Take-up Spring	1	145519-0-01	
A-14-1	Pre-tension Stud	1	154559-0-01	A-14 Pre-tension Assembly	A-34-5	Tension Stud	1	100398-0-01	
A-14-2	Thread Guide Disc	2	144504-0-01		A-34-6	Tension Disc	2	145446-0-01	
A-14-3	Spring	1			A-34-7	Tension Disc Washer	1	100134-0-01	
A-14-4	Nut	1	155510-0-01		A-34-8	Tension Spring	1		
A-15	Spool Pin	1	147557-0-01		A-34-9	Tension Control Nut	1	100136-0-01	
A-16	Name Plate	1			A-35	Arm Thread Guide L	1	145524-0-01	
A-17	Screw 3.57 x 8	5	009670-8-12		A-36	Nut 3.18	1	021660-1-02	
A-18	Rear Cover	1	145455-0-02		A-37	Thread Guide	1	116112-0-01	
A-19	Packing	1	145528-0-00		A-38	Screw 4.76	1	153483-0-01	
A-20	Oil Cap	1	104832-0-01		A-39	Arm Bed	1		
A-21	Oil Cap	1	104451-0-01		A-40	Cap	1	142274-0-01	
A-22	Vinyl Tube	1	153132-0-00		A-41	Bed Leg S	1	104830-1-01	
A-23	Oil Cap	1	108520-0-01		A-42	Bed Leg L	1	104829-1-01	
A-24	Pin	2							

B. Needle Bar, Thread Take-up and Rotary Hook Mechanism (1)



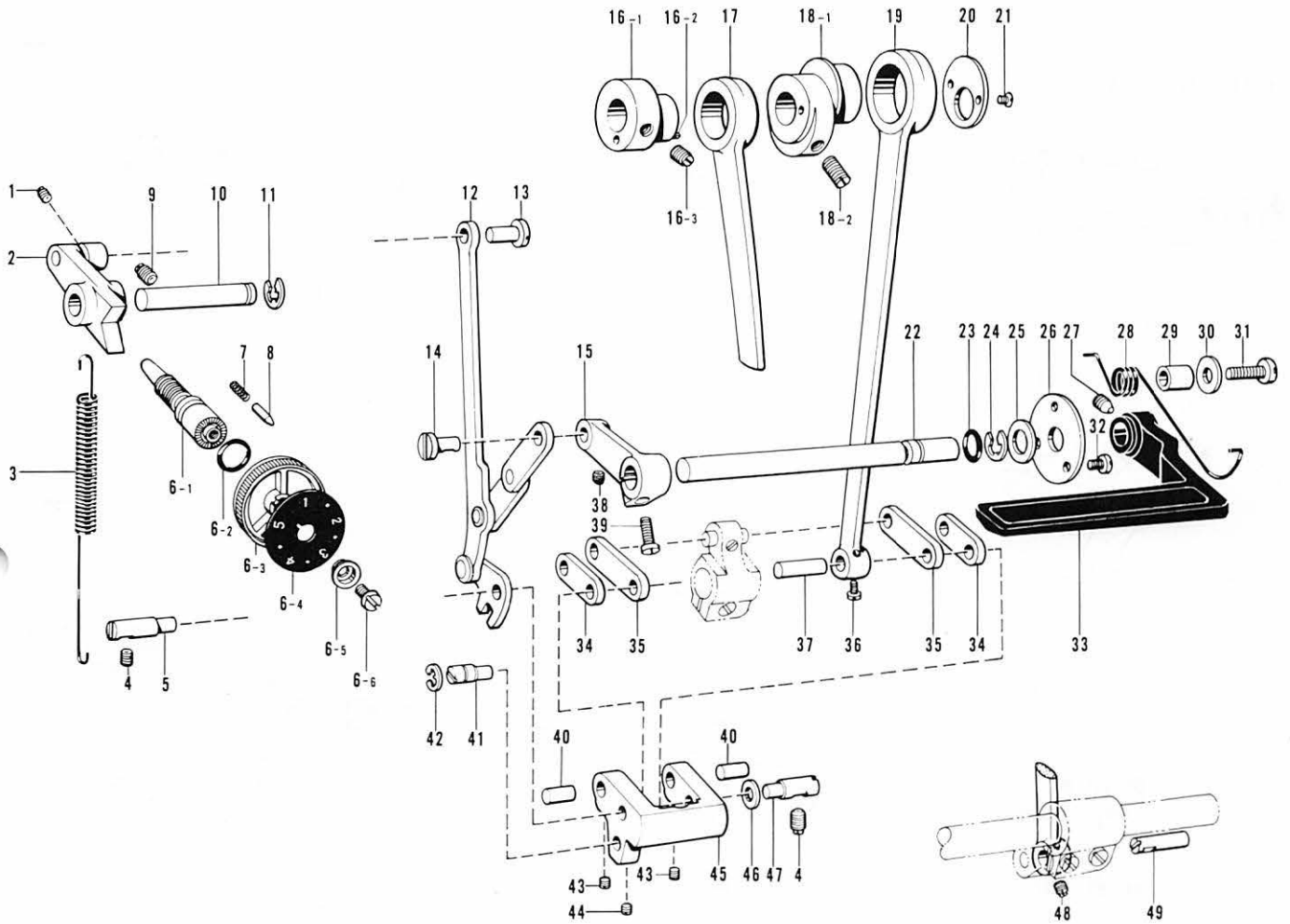
Ref. No.	Name of Parts	Q'ty	Parts No.	Assembly No.	Ref. No.	Name of Parts	Q'ty	Parts No.	Assembly No.
B- 1	Needle	1			B-18	Needle Bar Guide	1	145688-0-00	
B- 2	Thread Guide	1	151594-0-01		B-19	Screw 7.14	1	104464-0-01	
B- 3	Screw 3.18	1	140553-1-02		B-20	Washer	1	110367-0-01	
B- 4	Thread Guide Under	1	100573-0-01		B-21	Felt	1	145624-0-00	
B- 5	Needle Bar Bushing Lower	1			B-22	Counter Weight	1		
B- 6	Screw 5.95	2	100260-0-01		B-23	Screw 6.35	2	100251-0-01	
B- 7-1	Needle Bar Clamp	1		B-7 Thread Take-up Lever Assembly	B-24	Upper Shaft Bushing Left	1	145459-1-01	
B- 7-2	Screw 3.57	1	140004-0-01		B-25	Upper Shaft	1	156941-0-01	
B- 7-3	Stud	1			B-26	Screw 5.95 x 6	1	013760-6-10	
B- 7-4	Thread Take-up Supporter Assembly	1			B-27	Upper Shaft Bushing Intermediate	1	140726-0-00	
B- 7-5	Screw 3.57	1	145465-0-01		B-28-1	Set Collar	1		B-28 Collar Assembly 181916-0-01
B- 7-6	Needle Bar Crank Rod	1			B-28-2	Screw 6.35	2	100251-0-01	
B- 7-7	Bearing	2			B-29-1	Upper Shaft Gear	1		B-29 Bevel Gear Upper Assembly 140378-0-01
B- 7-8	Cap	1			B-29-2	Screw 6.35	2	100251-0-01	
B- 7-9	Needle Bar Crank	1			B-29-3	Gear Vertical Shaft Gear Upper	1		
B- 8	Needle Bar	1			B-29-4	Screw 6.35	2	100251-0-01	
B- 9	Needle Bar Cork	1	111863-0-01		B-30	Upper Shaft Bushing Right	1	146331-0-01	
B-10	Needle Bar Bushing Upper	1	117242-0-01		B-31	Oil Cap	1	156641-0-01	
B-11	Screw 6.35 x 10	1	013781-0-12		B-32	Oil Seal	1	101487-0-00	
B-12	Oil Adjustor	1	146333-0-01		B-33	Pulley	1	148822-0-01	
B-13	Felt 7 x 10	1	146327-0-01		B-34	Screw 5.95	2	013761-4-10	
B-14	Felt	1	107149-0-01		B-35	Vertical Shaft Bushing Upper	1	142708-0-00	
B-15	Wick 4 x 4	1	158727-0-01		B-36	Screw 5.95 x 6	1	013760-6-10	
B-16	Needle Bar Guide Slide Block	1	102630-0-01		B-37	Vertical Shaft	1	145516-0-01	
B-17	Screw 3.57 x 6	2	009670-6-12						

B. Needle Bar, Thread Take-up and Rotary Hook Mechanism (2)



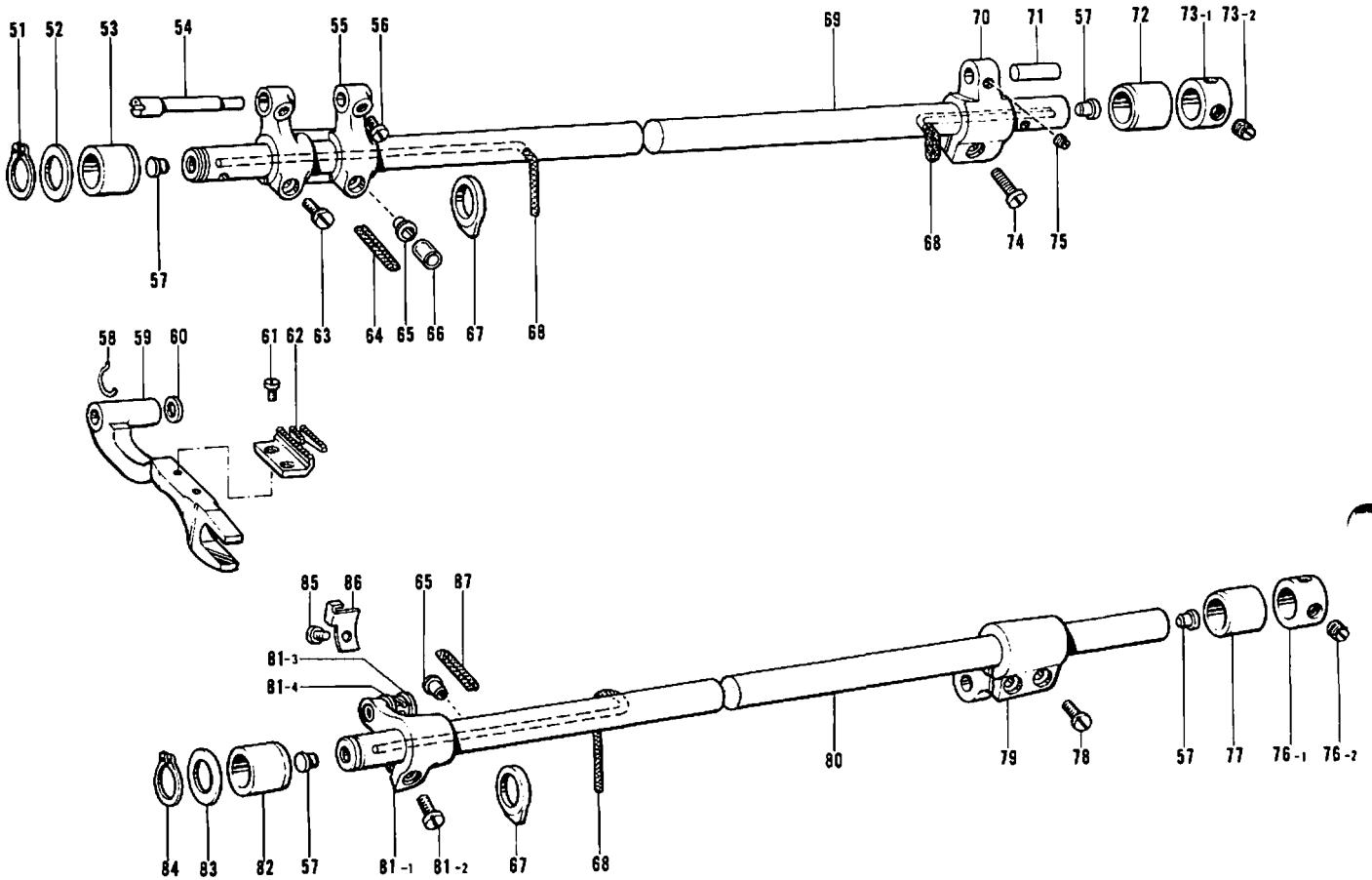
Ref. No.	Name of Parts	Q'ty	Parts No.	Assembly No.	Ref. No.	Name of Parts	Q'ty	Parts No.	Assembly No.
B-38-1	Slide Plate	1		B-38	B-50	Screw 4.37	2	102716-0-01	
B-38-2	Screw 2.38	2	122771-0-02	Slide Plate Assembly 180018-0-01	B-51	Screw 4.37	1	151603-0-02	
B-38-3	Slide Plate Spring	1	114561-0-01		B-52	Lower Shaft Bushing Left	1	118761-0-00	
B-39	Needle Plate	1			B-53	Lower Shaft Bushing Middle	1	118762-0-00	
B-40	Screw 4.37	2	100032-0-04		B-54-1	Set Collar	1		B-54 Collar Assembly 181995-0-01
B-41	Screw	1	109173-0-01		B-54-2	Screw 6.35	2	101706-0-01	
B-42	Felt	1	145751-0-01		B-55	Screw 4.37	1	151607-0-01	
B-43	Lower Shaft	1	154552-0-01		B-56	Lower Shaft Bushing Right	1	104520-0-00	
B-44-1	Lower Thread Adjusting Spring	1	100374-0-01		B-57	Felt	1	107155-0-01	
B-44-2	Spring Adjusting Screw	1	181937-0-01	B-44	B-58-1	Vertical Shaft Gear Lower	1		B-58 Bevel Gear Lower Assembly 140381-0-01
B-44-3	Spring Set Screw	1	181938-0-01	Bobbin Case Assembly 148350-1-01	B-58-2	Screw 6.35	2	100251-0-01	
B-44-4	Bobbin Case	1			B-58-3	Lower Shaft Gear	1		
B-44-5	Bobbin Presser Spring	1	148967-1-01		B-58-4	Screw 6.35	2	100251-0-01	
B-45	Bobbin	1			B-59	Screw 5.95	1	013761-4-10	
B-46	Bobbin Case Holder Position Bracket	1			B-60	Vertical Shaft Bushing Lower	1	142709-0-00	
B-47	Screw 4.37 x 12	1	009681-2-12		B-61-1	Set Collar	1		B-61 Collar Assembly 181995-0-01
B-48	Rotary Hook Assembly	1			B-61-2	Screw 6.35	2	101706-0-01	
B-49	Oil Rejector	1	154554-0-01						

C. Feed Mechanism (1)



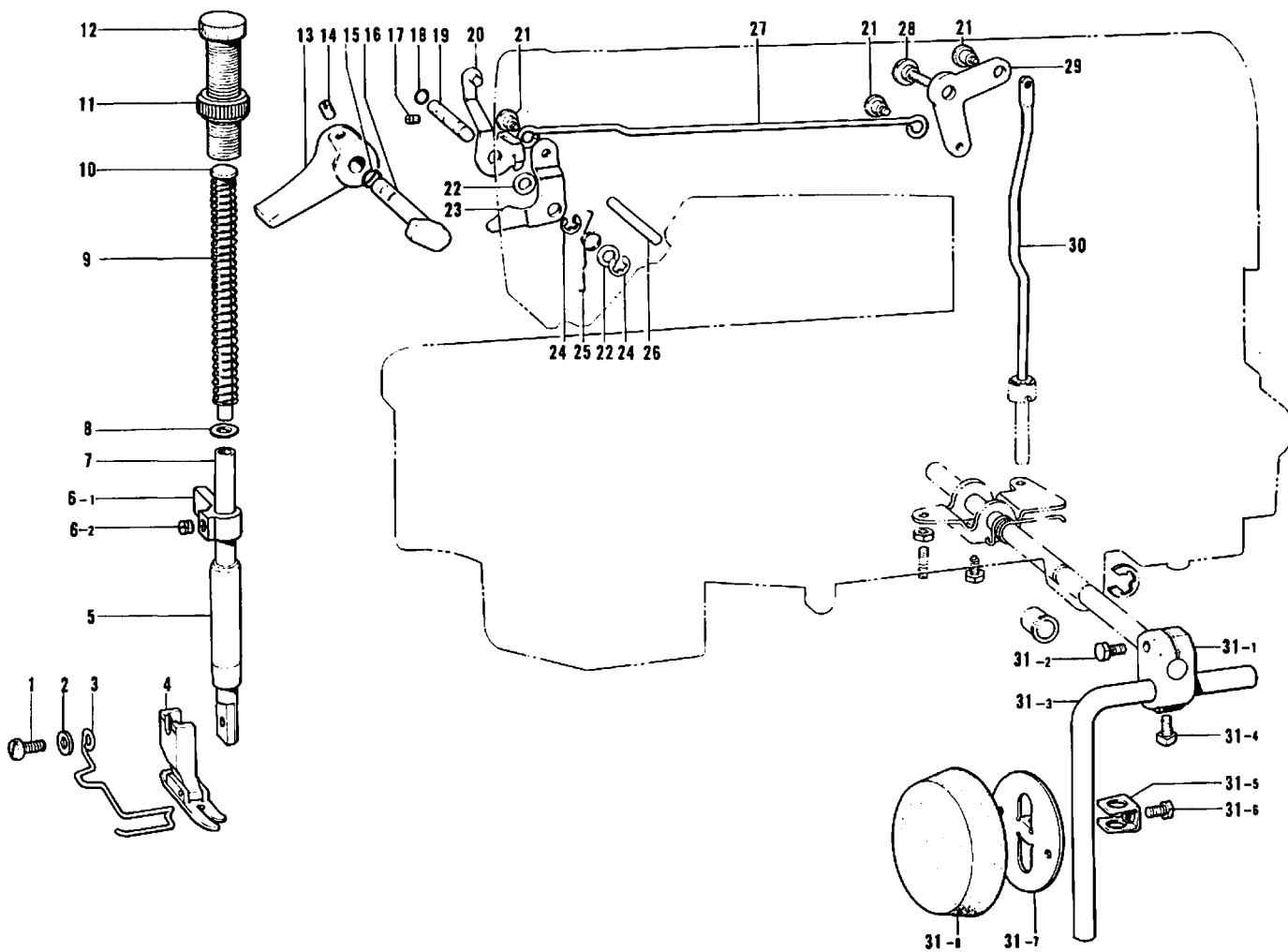
Ref. No.	Name of Parts	Q'ty	Parts No.	Assembly No.	Ref. No.	Name of Parts	Q'ty	Parts No.	Assembly No.
C- 1	Screw 4.37	1	151601-0-02		C-21	Screw 3.57	2	108960-0-02	
C- 2	Feed Regulator	1	156969-0-01		C-22	Reverse Lever Shaft	1	156973-0-01	
C- 3	Spring	1	156968-0-01		C-23	O Ring	1	104564-0-01	
C- 4	Screw 5.95	2	151604-0-01		C-24	Stop Ring E8	1	048080-3-42	
C- 5	Feed Regulator Shaft L	1	156967-0-01		C-25	Washer 10	1	025100-1-32	
C- 6-1	Length Control Screw	1	109151-1-01		C-26	Washer	1	147504-0-01	
C- 6-2	O Ring	1	108549-0-01		C-27	Screw 6.35 x 10	1	015771-0-12	
C- 6-3	Length Control Dial	1	153168-0-01	C-6 Length Control Assembly 181482-1-01	C-28	Spring	1	156974-0-01	
C- 6-4	Length Control Plate	1	151507-0-01		C-29	Collar	1	151317-0-01	
C- 6-5	Length Control Supporter	1	142746-0-02		C-30	Washer 6	1	025060-3-32	
C- 6-6	Screw 4.76	1	142747-0-02		C-31	Screw 6.35 x 18	1	009781-8-12	
C- 7	Notch Spring	1	100328-0-01		C-32	Screw 3.57 x 5	3	007670-5-13	
C- 8	Pin	1	145502-0-01		C-33	Reverse Lever	1	156972-0-01	
C- 9	Screw 5.95	1	151605-0-01		C-34	Level Feed Link Assembly	1	156952-0-01	
C-10	Feed Controller Shaft	1	156970-0-01		C-35	Level Feed Arm Link Assembly	1	156954-0-01	
C-11	Stop Ring E7	1	048070-3-42		C-36	Screw 3.57	1	144458-0-01	
C-12	Lever Regulator Connecting Rod Assembly	1			C-37	Feed Rock Shaft Arm Pin	1	156956-0-01	
C-13	Connecting Lever Stud 12.5	1	151308-0-01		C-38	Screw 4.37	1	151601-0-02	
C-14	Connecting Lever Stud 12.5	1	151308-0-01		C-39	Screw 4.76 x 14	1	009711-4-12	
C-15	Feed Regulator Bracket	1	156971-0-00		C-40	Feed Link Stud	2	156951-0-01	
C-16-1	Vertical Feed Eccentric Wheel	1		C-16 Vertical Feed Eccentric Wheel Assembly 156975-0-01	C-41	Feed Regulator Shaft	1	156966-0-01	
C-16-2	Pin AW2	1	047200-6-42		C-42	Stop Ring E6	1	048060-3-42	
C-16-3	Screw 5.95	2	151604-0-01		C-43	Screw 4.37 x 4	2	014680-4-22	
C-17	Vertical Feed Connecting Rod	1	118758-0-01		C-44	Screw 4.37 x 4	1	014680-4-22	
C-18-1	Level Feed Eccentric Wheel	1		C-18 Level Feed Eccentric Wheel Assembly 156946-0-01	C-45	Feed Regulator	1	156950-0-00	
C-18-2	Screw 5.95	2	013761-4-10		C-46	Washer	1	118735-0-01	
C-19	Level Feed Connecting Rod	1	156949-0-01		C-47	Feed Regulator Shaft	1	118734-0-01	
C-20	Level Feed Eccentric Wheel Plate	1	156948-0-01		C-48	Screw 4.37	1	151601-0-02	
					C-49	Feed Rock Shaft Arm Pin	1	109153-0-01	

C. Feed Mechanism (2)



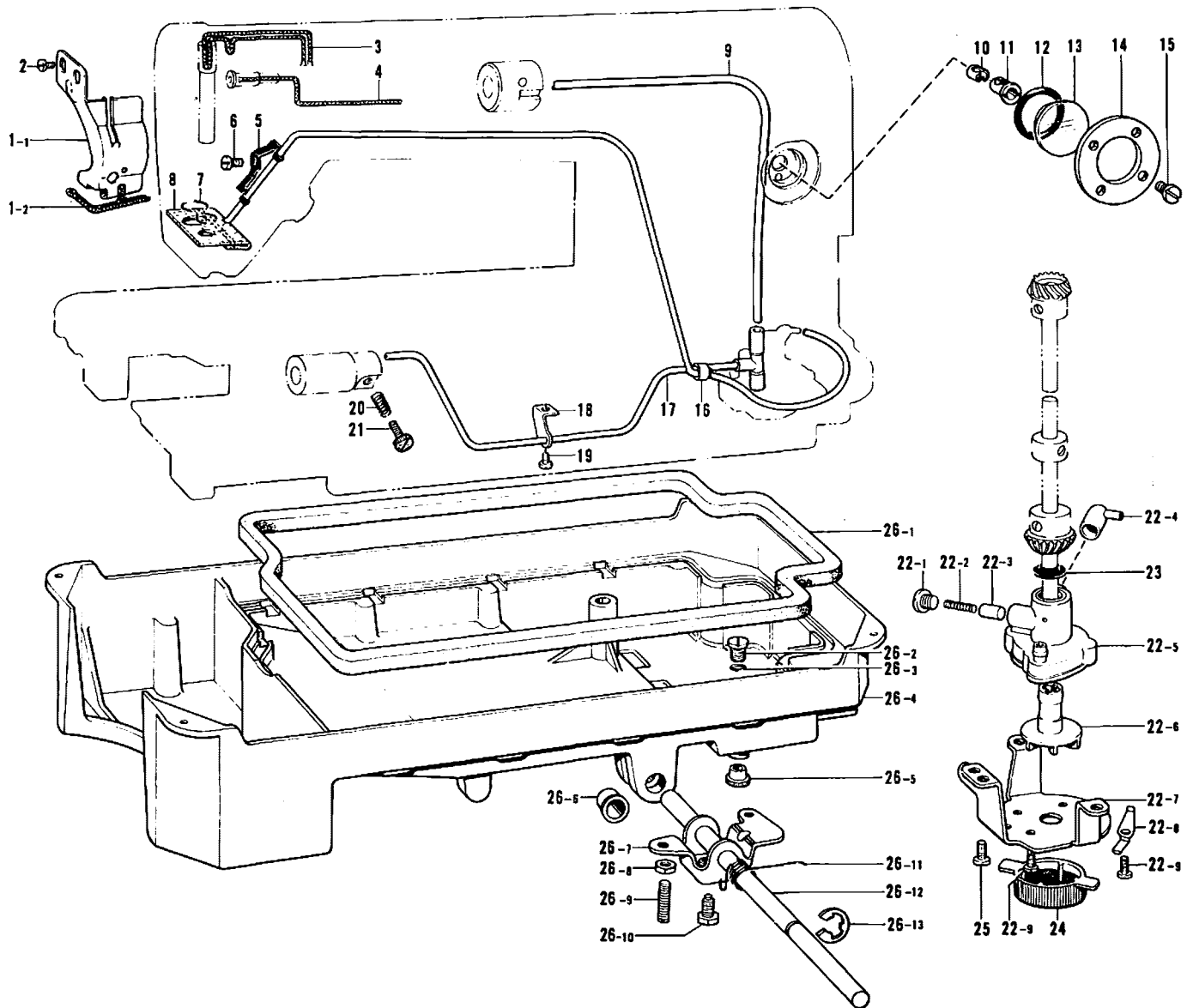
Ref. No.	Name of Parts	Q'ty	Parts No.	Assembly No.	Ref. No.	Name of Parts	Q'ty	Parts No.	Assembly No.
C-51	Stop Ring C15	1	048150-1-42		C-72	Bushing 19.3	1	156241-0-01	
C-52	Thrust Ring	1	156243-0-01		C-73-1	Set Collar	1		C-73
C-53	Bushing 18.8	1	156242-0-01		C-73-2	Screw 6.35	2	101706-0-01	Collar Assembly
C-54	Feed Bar Shaft	1	156246-0-01		C-74	Screw 4.76 x 14	1	009711-4-12	180321-0-01
C-55	Feed Bar Arm	1	156244-0-00		C-75	Screw 4.37	1	151601-0-02	
C-56	Screw 4.37	2	120990-0-01		C-76-1	Set Collar	1		C-76
C-57	Oil Cap	4	111865-0-01		C-76-2	Screw 6.35	2	101706-0-01	Collar Assembly
C-58	Wick Hanger	1	150342-0-01		C-77	Bushing 19.3	1	156241-0-01	180321-0-01
C-59	Feed Bar	1	147767-0-01		C-78	Screw 4.37 x 12	2	009681-2-12	
C-60	Washer 4.2	1	158722-0-01		C-79	Feed Lifting Rock Shaft Arm	1	156250-0-01	
C-61	Screw 3.18	2	100080-0-03		C-80	Feed Lifting Rock Shaft	1	156249-0-01	
C-62	Feed Dog	1			C-81-1	Feed Lifting Arm	1		
C-63	Screw 4.37 x 12	2	009681-2-12		C-81-2	Screw 4.37 x 16	1	009682-6-12	C-81
C-64	Wick 4 x 4	1	109405-0-01		C-81-3	Washer	1		Feed Lifting
C-65	Oil Cap	2	141189-0-01		C-81-4	Slide Block Assembly	1		Arm Assembly
C-66	Vinyl Tube	1	104566-0-01		C-82	Bushing 18.8	1	156242-0-01	145512-0-01
C-67	Oil Rejector	2	146064-0-00		C-83	Thrust Ring	1	156243-0-01	
C-68	Wick 6 x 6	3	113782-0-00		C-84	Stop Ring C15	1	048150-1-42	
C-69	Feed Rock Shaft	1	156240-0-01		C-85	Screw 3.57 x 3.5	1	009679-3-12	
C-70	Feed Rock Shaft Arm	1	156957-0-01		C-86	Wick Supporter	1	145538-0-01	
C-71	Feed Rock Shaft Arm Pin	1	156958-0-01		C-87	Wick 4 x 4	1	117007-0-01	

D. Presser Foot and Knee Lifter Mechanism



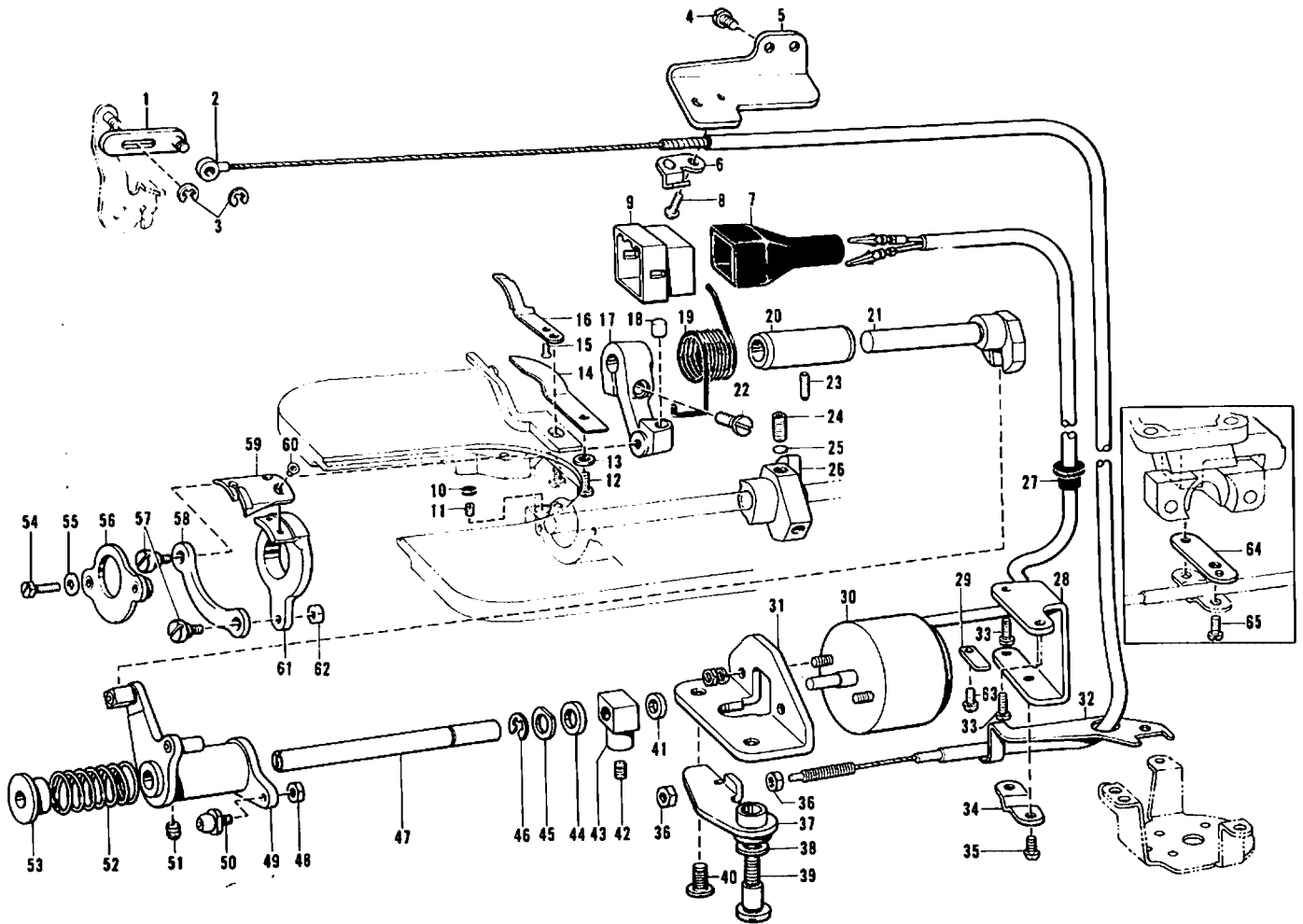
Ref. No.	Name of Parts	Q'ty	Parts No.	Assembly No.	Ref. No.	Name of Parts	Q'ty	Parts No.	Assembly No.
D- 1	Screw 3.57 x 10	1	001671-0-12		D-20	Tension Release Plate Assembly	1		
D- 2	Washer 3.5	1			D-21	Screw 4.76	3	145478-0-01	
D- 3	Finger Guard	1			D-22	Washer	2	109763-0-02	
D- 4	Presser Foot Assembly	1			D-23	Presser Bar Lifter Lever Shaft	1	145580-0-01	
D- 5	Presser Bar Bushing	1	145472-0-01		D-24	Stop Ring E4	2	048040-3-42	
D- 6-1	Presser Bar Clamp	1		D-6 Presser Bar Clamp Assembly 181919-0-01	D-25	Spring	1		
D- 6-2	Screw 5.95 x 6	1	013760-6-10		D-26	Tension Release Stud	1	145691-0-01	
D- 7	Presser Bar	1	111466-0-01		D-27	Knee Lifter Connector	1	154550-0-01	
D- 8	Washer	1	140407-0-01		D-28	Screw 6.35	1	145480-0-01	
D- 9	Spring	1	141728-0-01		D-29	Knee Lifter Lever	1	145479-0-01	
D-10	Presser Spring Bar	1	141208-0-01		D-30	Knee Lifter Bar	1	145481-0-01	
D-11	Nut	1	147846-0-01		D-31-1	Knee Lifter Joint	1	146039-0-01	D-31 Knee Lifter Assembly
D-12	Screw	1	141207-0-01		D-31-2	Bolt 5.95 x 20	1	017762-0-13	
D-13	Presser Bar Lifter	1	145482-0-01		D-31-3	Knee Lifter Bar	1	104619-0-02	
D-14	Screw 4.76	1	013710-5-12		D-31-4	Bolt 7.94	1	100463-0-01	
D-15	O Ring PW1	1	081001-6-70		D-31-5	Knee Lifter Plate Stopper	1	114967-0-01	
D-16	Presser Bar Lifter Crank	1			D-31-6	Bolt 5.95	1	110087-0-01	
D-17	Screw 3.57	1	100128-0-02		D-31-7	Knee Lifter Plate	1	114966-0-01	
D-18	O Ring PW1	1	081001-6-70		D-31-8	Knee Lifter Cover	1	140503-0-01	
D-19	Presser Bar Lifter Lever Shaft	1	145474-0-01						

E. Lubrication



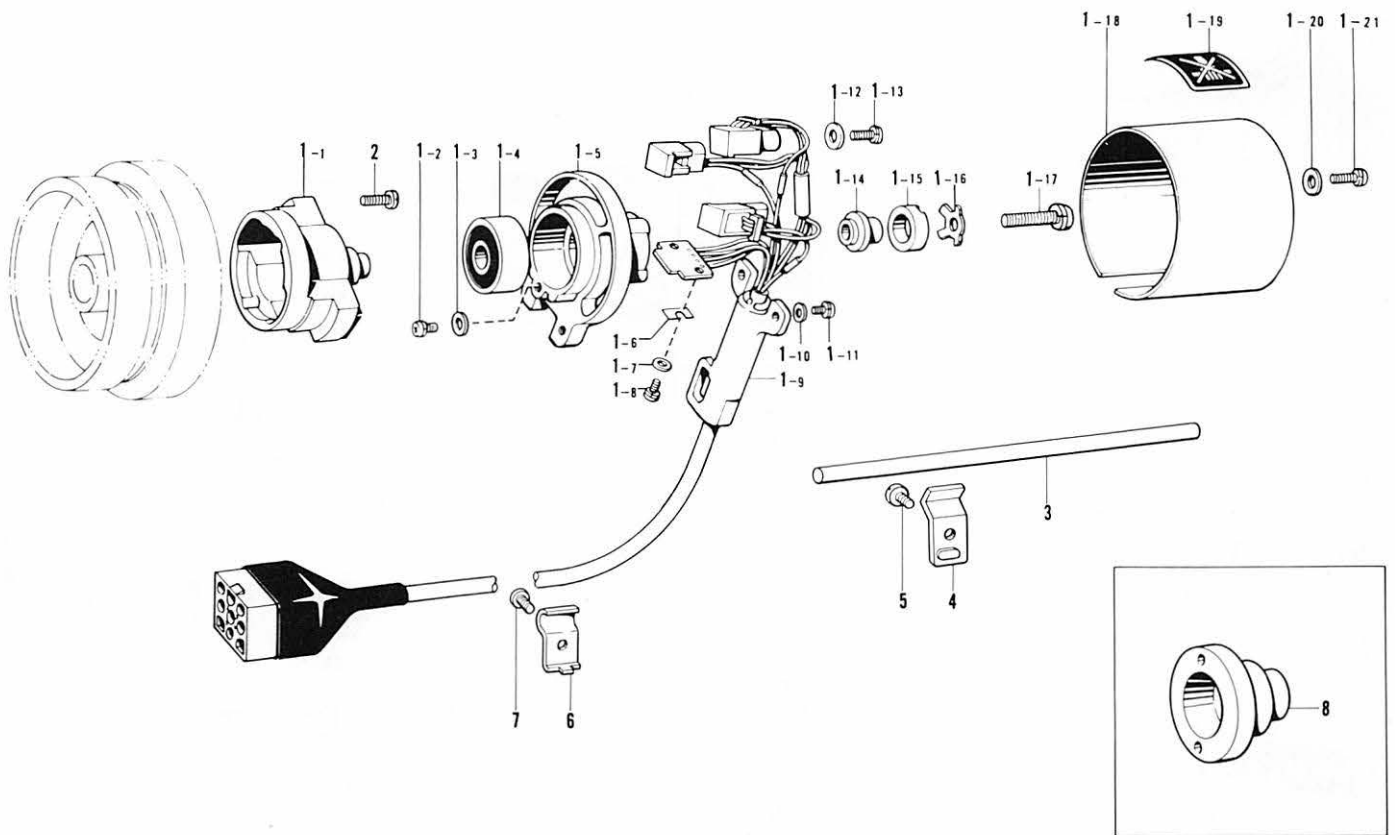
Ref. No.	Name of Parts	Q'ty	Parts No.	Assembly No.	Ref. No.	Name of Parts	Q'ty	Parts No.	Assembly No.
E- 1-1	Oil Stopper Plate	1		E-1 Oil Stopper Plate Assembly 181639-0-01	E-22- 2	Spring	1	144876-0-01	E-22 Pump Body Assembly 181476-1-01
E- 1-2	Wick 4 x 4	1	109405-0-01		E-22- 3	Plunger	1	144875-0-01	
E- 2	Screw 3.57	2	009670-5-12	E-22- 4	Joint B	1	144878-0-01		
E- 3	Wick 4 x 4	1	108804-0-01	E-22- 5	Pump Body	1	148848-0-01		
E- 4	Wick 4 x 4	1	158726-0-01	E-22- 6	Pump Propeller	1	148849-0-01		
E- 5	Tube Holder	1	145547-0-01	E-22- 7	Pump	1	144869-0-01		
E- 6	Screw 3.57 x 5	1	009670-5-13	E-22- 8	Spring	2	144874-0-01		
E- 7	Felt Support	1	145737-0-01	E-22- 9	Screw 3.57 x 8	4	009670-8-12		
E- 8	Tube Assembly	1	145543-0-01	E-23	Oil Stopper	1	146196-0-01		
E- 9	Oil Tube Upper	1	147496-0-00	E-24	Pump Filter	1	144872-0-01		
E-10	Tube Holder Cap	1	146314-0-00	E-25	Screw 4.37 x 7	3	009680-7-12		
E-11	Tube Holder	1	145529-0-00	E-26- 1	Packing	1	146040-0-01	E-26 Oil Pan Assembly	
E-12	O Ring PW 14	1	081014-6-70	E-26- 2	Screw 7.94	1	140518-0-01		
E-13	Oil Gauge Window	1	104547-0-01	E-26- 3	O Ring P7	1	081007-0-70		
E-14	Oil Gauge Flange	1	151074-0-01	E-26- 4	Oil Pan	1	149580-0-01		
E-15	Screw 3.57	4	100257-0-10	E-26- 5	Oil Cap	1	140480-0-01		
E-16	Tube	1	146253-0-00	E-26- 6	Bushing	2	149578-0-00		
E-17	Oil Tube Lower Assembly	1	156986-0-01	E-26- 7	Knee Lifter	1	146037-0-01		
E-18	Oil Tube Lower Supporter	1	157983-0-01	E-26- 8	Nut 5.95	2	100022-0-04		
E-19	Screw 4.37 x 6	1	009680-6-12	E-26- 9	Screw 5.95	2	104885-0-01		
E-20	Spring	1	116794-0-01	E-26-10	Bolt 5.95	1	146367-0-01		
E-21	Screw	1	145534-0-01	E-26-11	Spring	1	146038-0-01		
E-22-1	Screw 6.35	1	112467-0-02	E-26-12	Knee Lifter Shaft	1	146036-1-01		
				E-26-13	Stop Ring E10	1	146293-0-01		

F. Thread Trimmer and Tension Release Mechanism



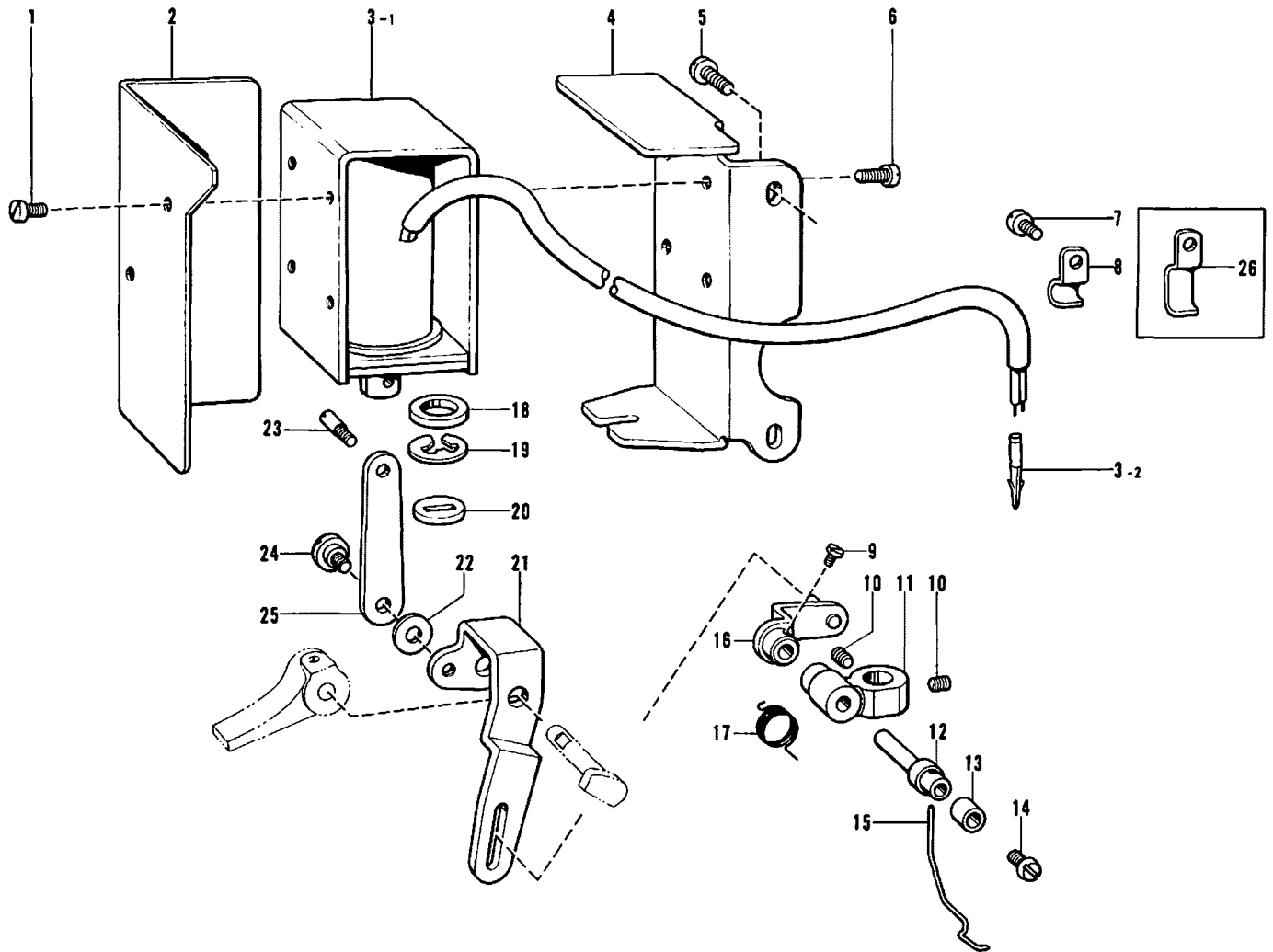
Ref. No.	Name of Parts	Q'ty	Parts No.	Assembly No.	Ref. No.	Name of Parts	Q'ty	Parts No.	Assembly No.
F- 1	Tension Release Link Assembly	1	154603-0-01		F-34	Tension Release Wire Presser D	1	154607-0-01	
F- 2	Tension Release Wire	1	154602-0-01		F-35	Screw 3.57 x 6	2		
F- 3	Stop Ring E3	2	048030-3-42		F-36	Nut 4.76	2	110161-0-04	
F- 4	Screw 3.57 x 6	2	009670-6-12		F-37	Tension Release Lever	1	154601-0-01	
F- 5	Tension Release Wire Holder U	1	154608-0-01		F-38	Washer	1	155559-0-01	
F- 6	Tension Release Wire Presser U	1	149135-1-01		F-39	Screw 6.35	1	155558-0-01	
F- 7	Connector Cap 5	1			F-40	Screw 6.35	1	110201-0-01	
F- 8	Screw 3.57 x 6	1	001670-6-12		F-41	Cushion	1	154599-0-00	
F- 9	Nylon Connector 12P	1			F-42	Screw 4.37 x 6	1	014680-6-22	
F-10	Cap	1	155578-0-00		F-43	Solenoid Lever	1	154600-0-01	
F-11	Screw 3.57 x 7	1	013670-7-12		F-44	Rubber Stopper	1	154596-0-00	
F-12	Screw 4.37 x 7	1	009680-7-12		F-45	Washer	1	110367-0-01	
F-13	Washer	1	100645-0-03		F-46	Stop Ring E6	1	048060-3-42	
F-14	Lower Thread Finger	1	154569-0-01		F-47	Lever Stud	1	154593-0-01	
F-15	Screw 3.57	1	108960-0-02		F-48	Nut 4.37	1	105234-0-03	
F-16	Fixed Knife	1	154568-0-01		F-49	Lever Assembly	1	154582-0-01	
F-17	Tread Trimming Lever	1	154577-0-01		F-50	Slide Block C Assembly	1	154590-0-01	
F-18	Lever Stopper	1	154578-0-00		F-51	Screw 6.35	1	100251-0-01	
F-19	Trimming Lever Spring	1	154579-0-01		F-52	Spring	1	154595-0-01	
F-20	Shaft Bushing	1	154581-0-01		F-53	Collar	1	154594-0-00	
F-21	Shaft	1	154580-0-01		F-54	Bolt 4.37	2	154574-0-01	
F-22	Screw 4.76 x 14	1	009711-4-12		F-55	Washer	2	100645-0-03	
F-23	Screw 4.37	1	151607-0-01		F-56	Knife Holder Assembly	1	154571-0-01	
F-24	Screw 6.35	2	014771-0-22		F-57	Screw 4.37	2	151987-0-01	
F-25	Washer 5.3	2	154567-0-00		F-58	Tread Trimming Rod	1	154576-0-01	
F-26	Thread Trimmer Clutch	1	154566-0-01		F-59	Movable Knife	1	154575-0-01	
F-27	Wire Bushing	1			F-60	Screw 4.37	2	148537-0-01	
F-28	Tension Release Wire Holder D	1			F-61	Movable Knife Holder	1	154570-0-01	
F-29	Holder	1	157951-0-01		F-62	Nut 4.37	1	102571-0-03	
F-30	Thread Trimming Solenoid	1			F-63	Screw 3.57 x 6	1	009670-6-12	
F-31	Solenoid Bracket	1	154598-0-01		F-64	Tension Release Wire Holder A	1		
F-32	Tension Release Wire Ring	1	157985-0-01		F-65	Screw 3.57 x 8	2		
F-33	Screw 3.57 x 8	2							

G. Synchronizer



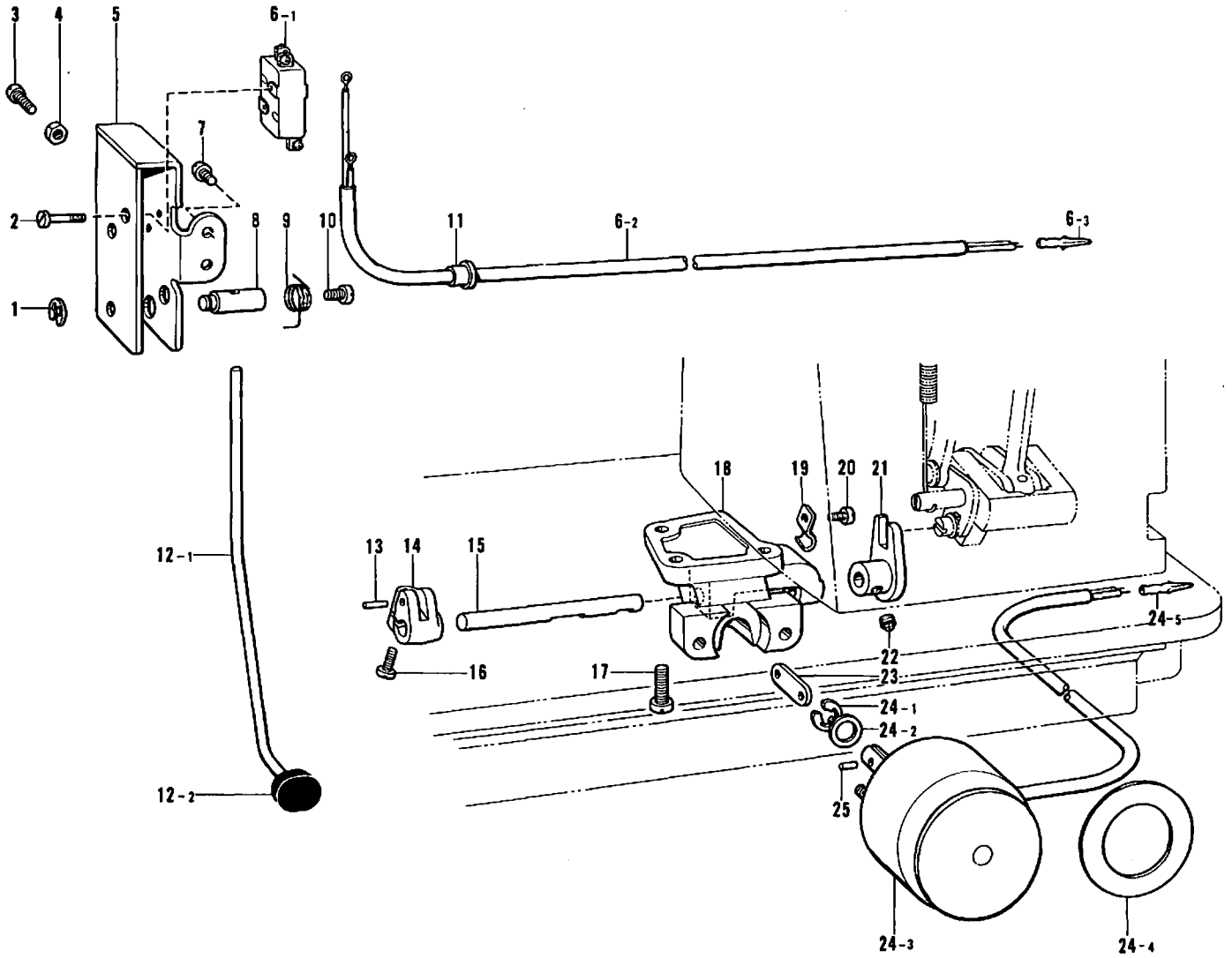
Ref. No.	Name of Parts	Q'ty	Parts No.	Assembly No.	Ref. No.	Name of Parts	Q'ty	Parts No.	Assembly No.
G-1- 1	Magnet Stud Assembly	1		G-1 Synchronizer Assembly #8	G-1-15	Magnet 12 x 18.7 x 6	1	219558-0-00	G-1 Synchronizer Assembly #8
G-1- 2	Screw 3 x 6D	1	215083-0-01		G-1-16	Magnet Holder Plate	1	219559-0-01	
G-1- 3	Washer 3	1	025030-3-35		G-1-17	Screw 6 x 25D	1	221421-0-01	
G-1- 4	Bearing 6201VV	1			G-1-18	Synchronizer Cover #3	1		
G-1- 5	Hole IC Holder #3	1			G-1-19	Level #3	1		
G-1- 6	Adjusting Plate	3	219696-0-00		G-1-20	Washer 4	2	025040-3-35	
G-1- 7	Washer 3	2	025030-1-35		G-1-21	Screw 4 x 10D	2	215080-0-01	
G-1- 8	Screw 3 x 6D	2	215083-0-01		G-2	Screw 4.76 x 14	2	0097114-12	
G-1- 9	Hole IC Code Assembly #4	1			G-3	Synchronizer Holder Bar #2	1	218944-0-01	
G-1-10	Washer 4	2	025040-1-35		G-4	Holder	1	216332-0-01	
G-1-11	Screw 4 x 10D	2	215080-0-01		G-5	Screw 6.35	1	110201-0-01	
G-1-12	Washer 4	3	025040-3-35		G-6	Cord Stopper	1	145597-0-01	
G-1-13	Screw 4 x 12D	3	217093-0-01		G-7	Screw 4.37 x 8	1	009680-8-12	
G-1-14	Magnet Setting Bracket	1	219557-0-00		G-8	Slip Ring Support	1		

H. Thread Wiper Mechanism -200, -400, -700, -900



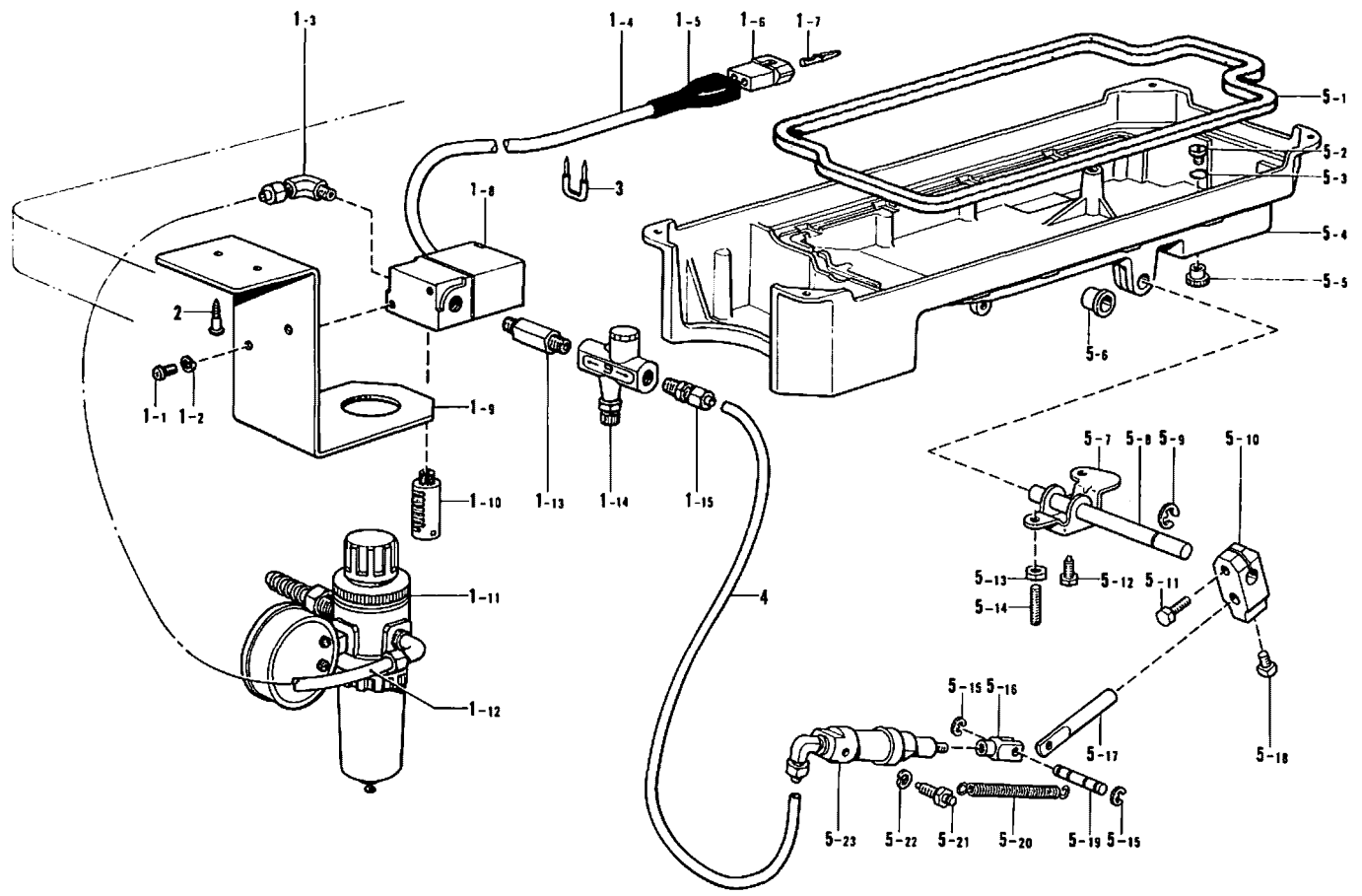
Ref. No.	Name of Parts	Q'ty	Parts No.	Assembly No.	Ref. No.	Name of Parts	Q'ty	Parts No.	Assembly No.
H- 1	Screw 3 x 5	2	007300-5-12		H-14	Screw 3.57 x 5	1	001670-5-12	
H- 2	Solenoid Cover	1	156992-0-01		H-15	Thread Wiper	1	146094-0-01	
H- 3-1	Solenoid	1		H-3 Thread Wiper Solenoid Assembly	H-16	Thread Wiper Crank	1	156995-0-01	
H- 3-2	Terminal Pin (Male)	2			H-17	Spring	1	156996-0-01	
H- 4	Solenoid Bracket	1	156991-0-01		H-18	Plunger Stopper	1	148512-0-00	
H- 5	Screw 4.37 x 10	2	009681-0-12		H-19	Stop Ring E9	1	048090-3-42	
H- 6	Screw 3 x 6	4	007300-6-12		H-20	Stopper	1	148518-0-00	
H- 7	Screw 3.57 x 6	3	009670-6-12		H-21	Thread Wiper Lever	1	156993-0-01	
H- 8	Holder	3			H-22	Washer	1	100645-0-03	
H- 9	Screw 3.57	1	111443-0-03		H-23	Plunger Pin	1	148546-0-01	
H-10	Screw 4.37 x 4	2	014680-4-22		H-24	Screw 4.37	1	113730-0-01	
H-11	Thread Wiper Supporter	1	156994-0-01		H-25	Thread Wiper Link	1	156990-0-01	
H-12	Thread Wiper Stud	1	146092-0-01		H-26	Holder L	3		
H-13	Thread Wiper Stud Collar	1	146288-0-01						

J. Quick Back Mechanism -400, -700, -900



Ref. No.	Name of Parts	Q'ty	Parts No.	Assembly No.	Ref. No.	Name of Parts	Q'ty	Parts No.	Assembly No.
J- 1	Stop Ring E4	1	048040-3-42		J-14	Solenoid Lever	1	156981-0-01	
J- 2	Screw 2.38	2	146124-0-01		J-15	Solenoid Lever Stud	1	156984-0-01	
J- 3	Screw 4.37	1	121007-0-01		J-16	Screw 4.37 x 12	1	009681-2-12	
J- 4	Nut 4.37	1	102571-0-03		J-17	Screw 6.35 x 14	3	009781-4-12	
J- 5	Reverse Switch Case	1	156997-0-01		J-18	Solenoid Bracket	1	156983-0-01	
J- 6-1	Micro Switch	1		J-6 Reverse Switch Assembly	J-19	Supporter	1	140647-0-01	
J- 6-2	Reverse Switch Cord	1			J-20	Screw 3.57 x 6	1	009670-6-12	
J- 6-3	Terminal Pin (Male)	2			J-21	Reverse Lever	1	156985-0-01	
J- 7	Screw 3.57 x 6	2	009670-6-12		J-22	Screw 6.35	2	101706-0-01	
J- 8	Actuator Pin	1	156998-0-01		J-23	Solenoid Link	1	156979-0-01	
J- 9	Spring	1	157999-0-01		J-24-1	Stop Ring E6	1	048060-3-42	J-24 Reverse Solenoid Assembly
J-10	Screw 4.37 x 10	1	009681-0-12		J-24-2	Cushion (S)	1	157982-0-00	
J-11	Bushing	1	146080-0-00		J-24-3	Solenoid	1		
J-12-1	Actuator Bar	1		J-12 Actuator Assembly 156999-0-01	J-24-4	Cushion (L)	1	157981-0-00	
J-12-2	Actuator	1	156479-0-00		J-24-5	Terminal Pin (Male)	2		
J-13	Pin 3 x 12.8	1	156982-0-01		J-25	Pin 3 x 7.5	1	156980-0-01	

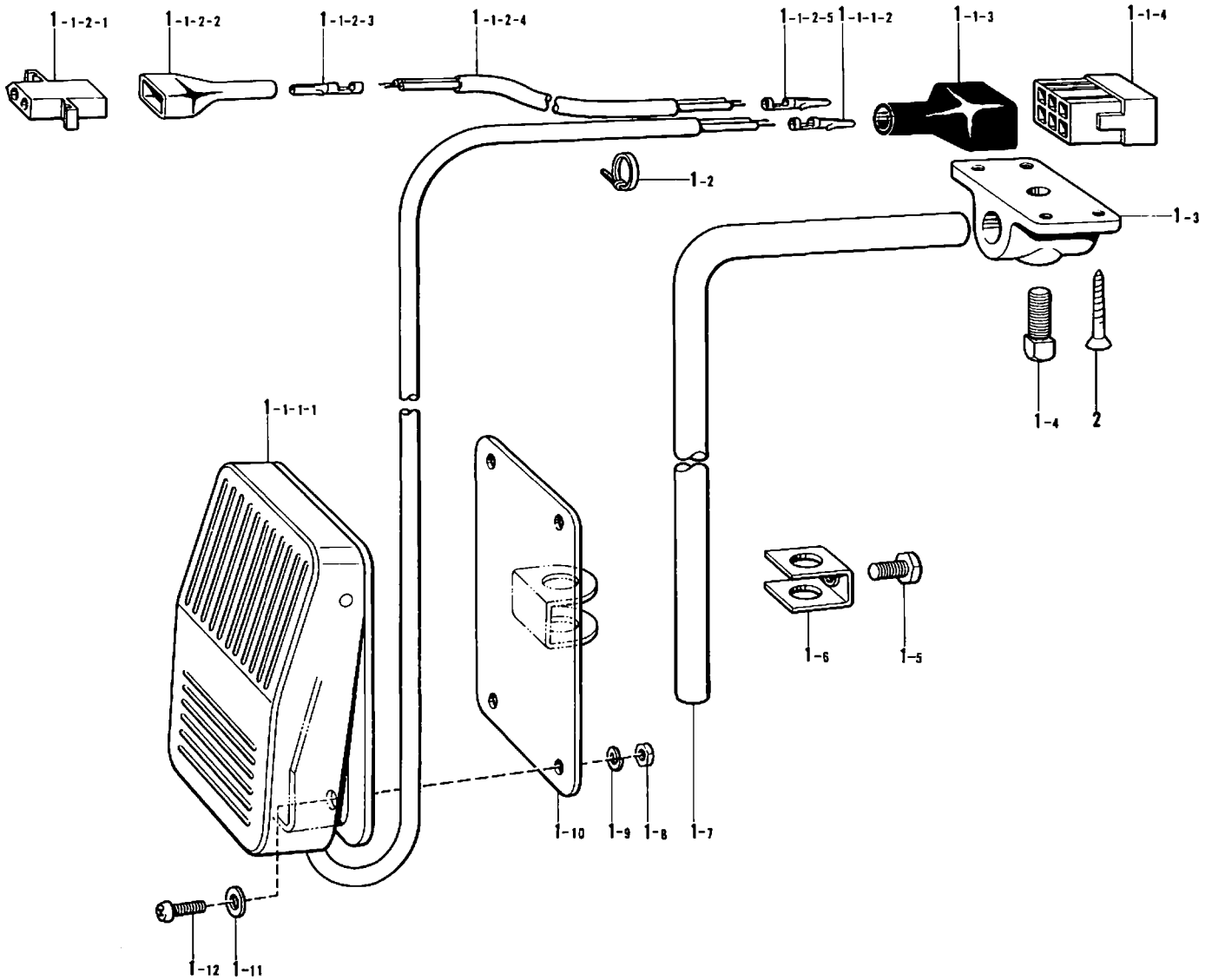
K. Presser Foot Lifter <Air Type> Mechanism -700



Ref. No.	Name of Parts	Q'ty	Parts No.	Assembly No.	Ref. No.	Name of Parts	Q'ty	Parts No.	Assembly No.
K-1- 1	Screw 5 x 10	2	002501-0-03	K-1 Air Unit Valve Assembly 151126-1-01	K-5- 4	Oil Pan	1	149581-0-01	K-5 Oil Pan Assembly 181430-2-01
K-1- 2	Spring Washer 2-5	2	028050-2-43		K-5- 5	Oil Cap	1	140480-0-01	
K-1- 3	1/8" Elbow	1	151147-0-01		K-5- 6	Bushing	2	149578-0-00	
K-1- 4	Insulator Tube	1	154215-0-01		K-5- 7	Knee Lifter	1	146037-0-01	
K-1- 5	Connector Cap	1	143489-0-01		K-5- 8	Piston Actuating Link Shaft	1	146069-0-01	
K-1- 6	Nylon Connector 2P	1	143488-0-01		K-5- 9	Stop Ring E10	1	146293-0-01	
K-1- 7	Terminal Pin	2	143549-0-00		K-5-10	Knee Lifter Joint	1	146039-0-01	
K-1- 8	Air Valve	1	151127-1-00		K-5-11	Bolt 5.95 x 20	1	017762-0-13	
K-1- 9	Air Unit Holder Plate	1	154214-0-01		K-5-12	Bolt 5.95	1	146367-0-01	
K-1-10	Silencer	1	140682-0-01		K-5-13	Nut 5.95	2	100022-0-04	
K-1-11	Air Unit Assembly	1	151153-1-01		K-5-14	Screw 5.95	2	104885-0-01	
K-1-12	Air Tube	1	140540-0-00		K-5-15	Stop Ring E4	2	048040-3-42	
K-1-13	Speed Control Connector	1	142037-0-00		K-5-16	Piston Rod Joint	1	140627-0-01	
K-1-14	Speed Controller	1	142038-0-01		K-5-17	Piston Drive Link	1	140668-0-01	
K-1-15	1/8" Connector	1	140543-0-00		K-5-18	Bolt 7.94	1	100463-0-01	
K-2	Screw 4.5 x 20	2	101118-0-01	K-5-19	Pin	1	146986-0-01		
K-3	Staple	8	200190-0-01	K-5-20	Spring	2	146985-0-01		
K-4	Air Tube	1	151154-0-00	K-5-21	Screw	2	147141-0-01		
K-5- 1	Packing	1	146040-0-01	K-5-22	Spring Washer 2-6	2	028060-2-42		
K-5- 2	Screw 7.94	1	140518-0-01	K-5-23	Presser Foot Cylinder Assembly	1	146157-0-01		
K-5- 3	O Ring P7	1	081007-0-70						

* The parts K-1 to are not included for EFKA specification.

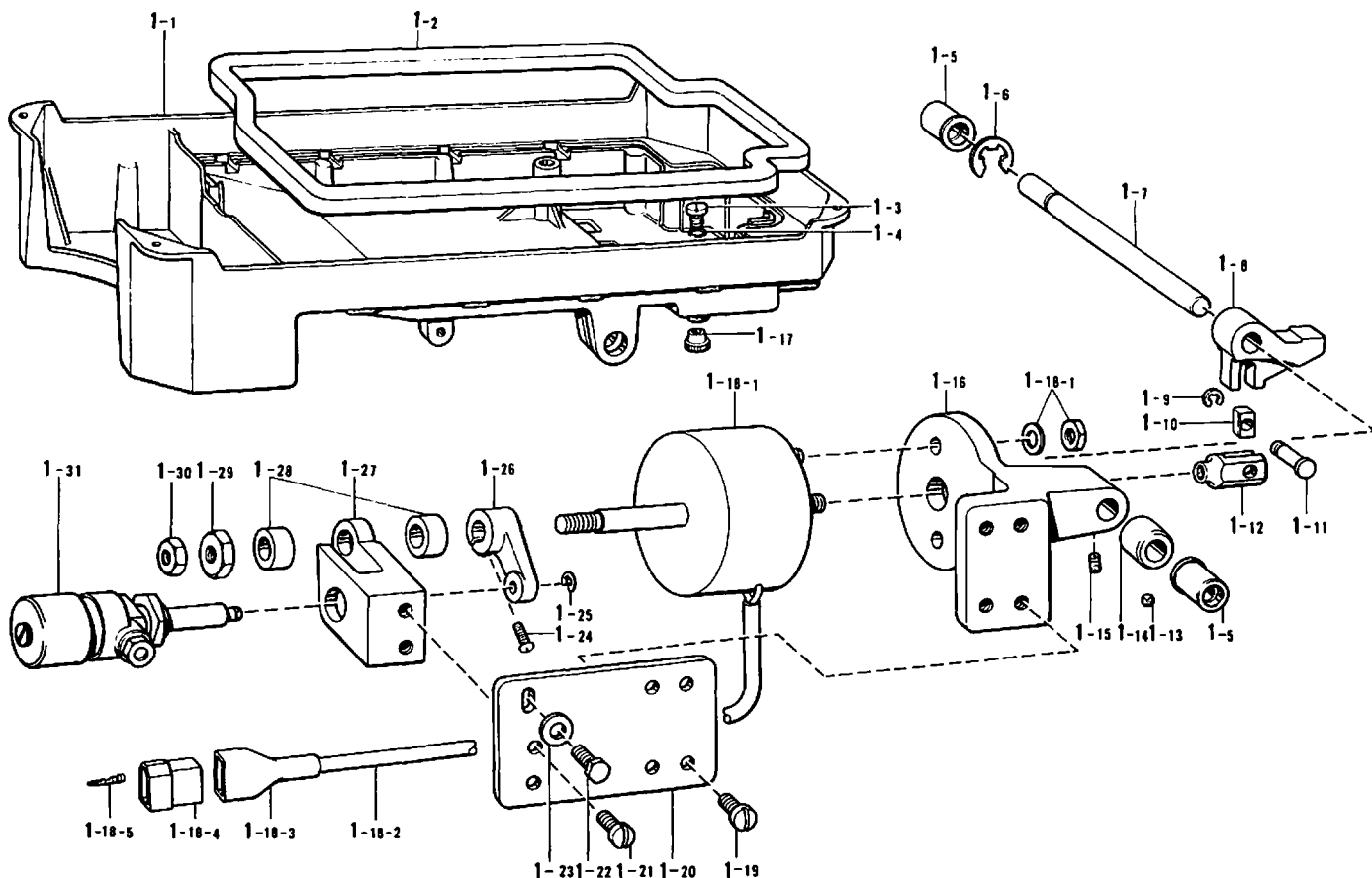
L. Knee Lifter Switch Mechanism -700



Ref. No.	Name of Parts	Q'ty	Parts No.	Assembly No.	Ref. No.	Name of Parts	Q'ty	Parts No.	Assembly No.
L-1-1-1-1	Presser Foot Lifter Switch	1		L-1-1-1 Presser Foot Lifter Switch Assembly 154367-0-00	L-1- 2	Bead Band	1	149799-0-00	L-1 Knee Lifter Switch Assembly 154169-0-01
L-1-1-1-2	Terminal Pin	2	143549-0-00	L-1-1-2 Presser Foot Lifter Cord Assembly 154172-0-01	L-1- 3	Knee Lifter Shaft Bracket	1	142027-0-01	
L-1-1-2-1	Nylon Connector	1	143499-0-00		L-1- 4	Bolt 7.95	1	100463-0-01	
L-1-1-2-2	Connector Cap	1	143489-0-01		L-1- 5	Bolt 5.95	1	110087-0-01	
L-1-1-2-3	Terminal Pin (Female)	2	143548-0-00		L-1- 6	Stopper	1	114967-0-01	
L-1-1-2-4	Cable	1			L-1- 7	Knee Switch Shaft	1	142026-0-01	
L-1-1-2-5	Terminal Pin (Male)	2	143549-0-00	L-1- 8	Nut 4	4	021400-1-64		
L-1-1-3	Connector Cap	1	146119-0-00	L-1- 9	Spring Washer 2-4	4	028040-2-43		
L-1-1-4	Nylon Connector 6P	1	146118-0-00	L-1-10	Knee Lifter Switch Plate	1	154170-0-01		
				L-1-11	Washer 4	4	025040-2-33		
				L-1-12	Screw 4 x 10	4	002401-0-03		
				L-2	Screw 4.1 x 25	4	034422-5-03		

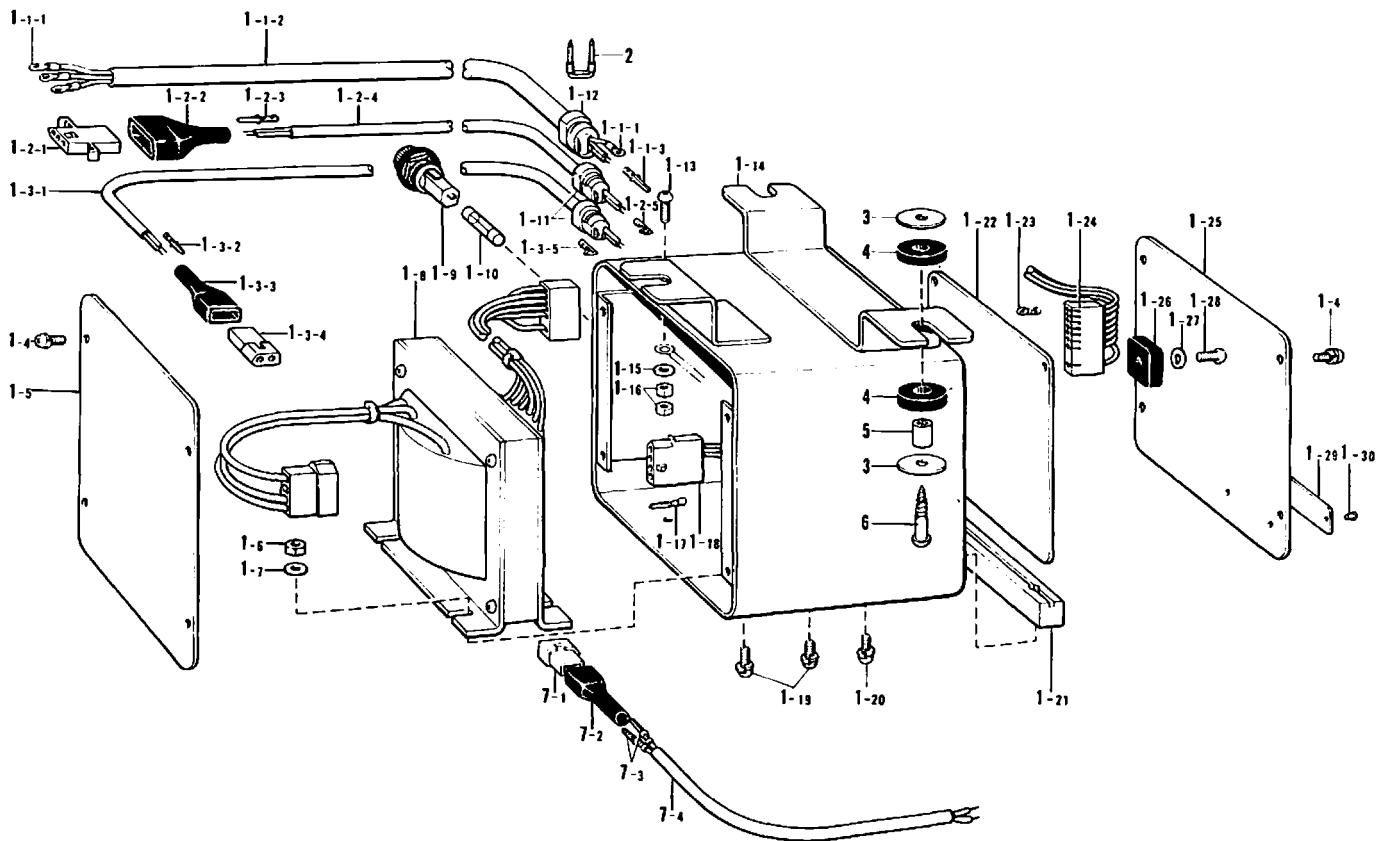
* Above mentioned parts are not included for EFKA specification.

M. Presser Foot Lifter <Solenoid Type> Mechanism -900



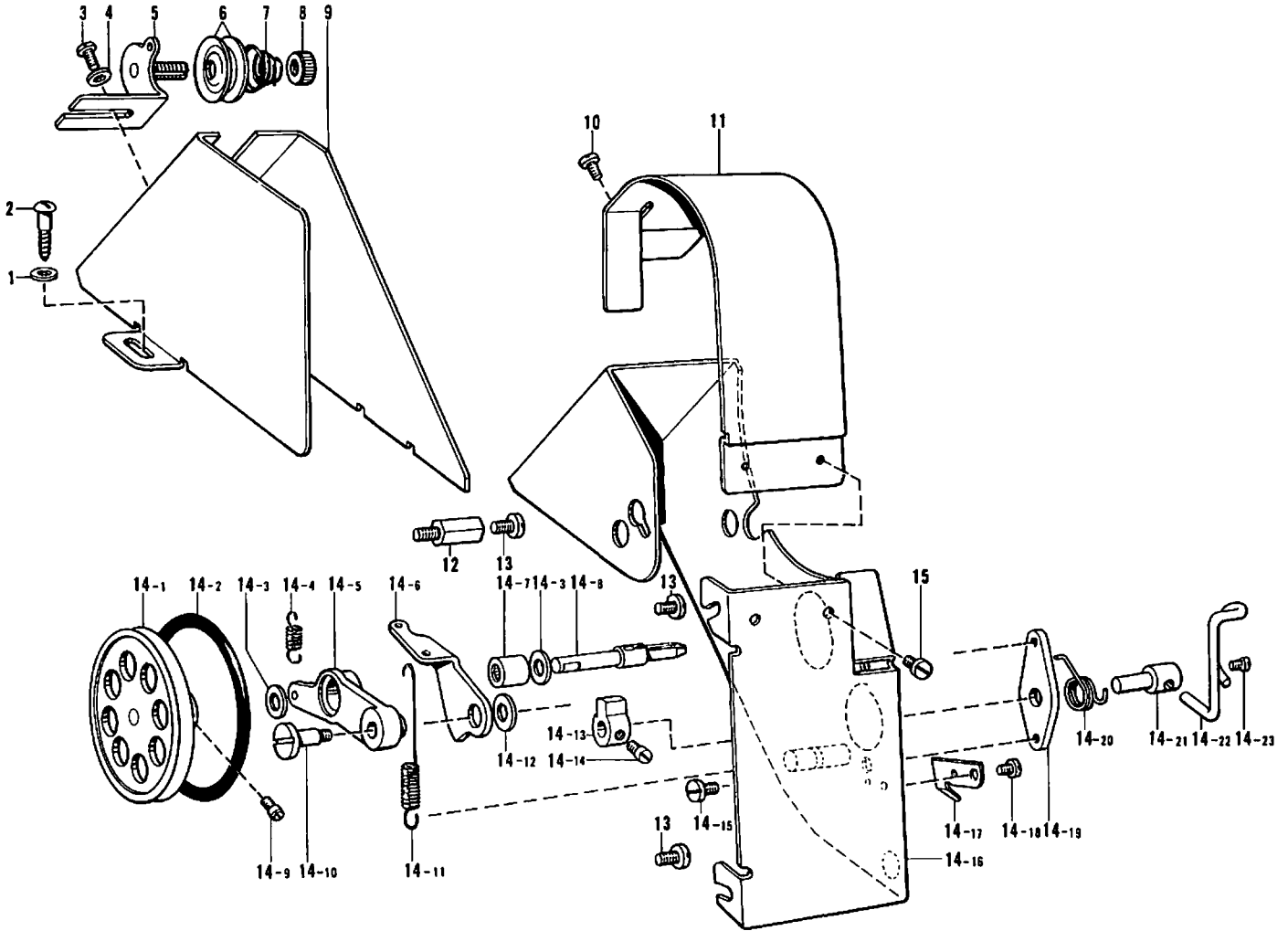
Ref. No.	Name of Parts	Q'ty	Parts No.	Assembly No.	Ref. No.	Name of Parts	Q'ty	Parts No.	Assembly No.
M-1- 1	Oil Pan	1	149581-0-01	M-1 Oil Pan Assembly 153130-0-01	M-1-18-2	Solenoid Cord	1		M-1-18 Presser Foot Lifting Solenoid Assembly 153117-0-01
M-1- 2	Packing	1	146040-0-01		M-1-18-3	Connector Cap	1	143485-0-01	
M-1- 3	Screw 7.94	1	140518-0-01		M-1-18-4	Nylon Connector 3P	1	143484-0-00	
M-1- 4	O Ring P7	1	081007-0-70		M-1-18-5	Terminal Pin	2	143549-0-00	
M-1- 5	Bushing	2	149578-0-00		M-1-19	Screw 5.95 x 12	4	009761-2-12	
M-1- 6	Stop Ring E10	1	146293-0-01		M-1-20	Solenoid Bracket	1	153120-0-01	
M-1- 7	Knee Lifter Shaft	1	153127-0-01		M-1-21	Screw 5.95 x 12	2	007961-2-12	
M-1- 8	Presser Foot Lifter	1	153128-0-01		M-1-22	Bolt 5.95 x 14	1	017761-4-12	
M-1- 9	Stop Ring E4	1	048040-3-42		M-1-23	Washer 6	1	025060-2-32	
M-1-10	Needle Bar Guide Slide Block	1	102630-0-01		M-1-24	Screw 4.76 x 14	1	009711-4-12	
M-1-11	Pin	1	153245-0-01		M-1-25	Stop Ring E3	1	048030-3-42	
M-1-12	Piston Rod Joint	1	153198-0-01		M-1-26	Damper Lever	1	153121-0-01	
M-1-13	Screw 6.35	1	101706-0-03		M-1-27	Damper Supporter	1	153123-0-01	
M-1-14	Set Collar	1	141351-0-01		M-1-28	Rubber Cushion	2	153122-0-00	
M-1-15	Screw 5.95	1	013760-6-12		M-1-29	Nut M8	1	158677-0-01	
M-1-16	Solenoid Bracket	1	153116-0-00		M-1-30	Nut 8	1	021080-3-02	
M-1-17	Oil Cap	1	140480-0-01		M-1-31	Damper Assembly	1	153124-0-01	
M-1-18-1	Solenoid	1							

N. Control Box -900



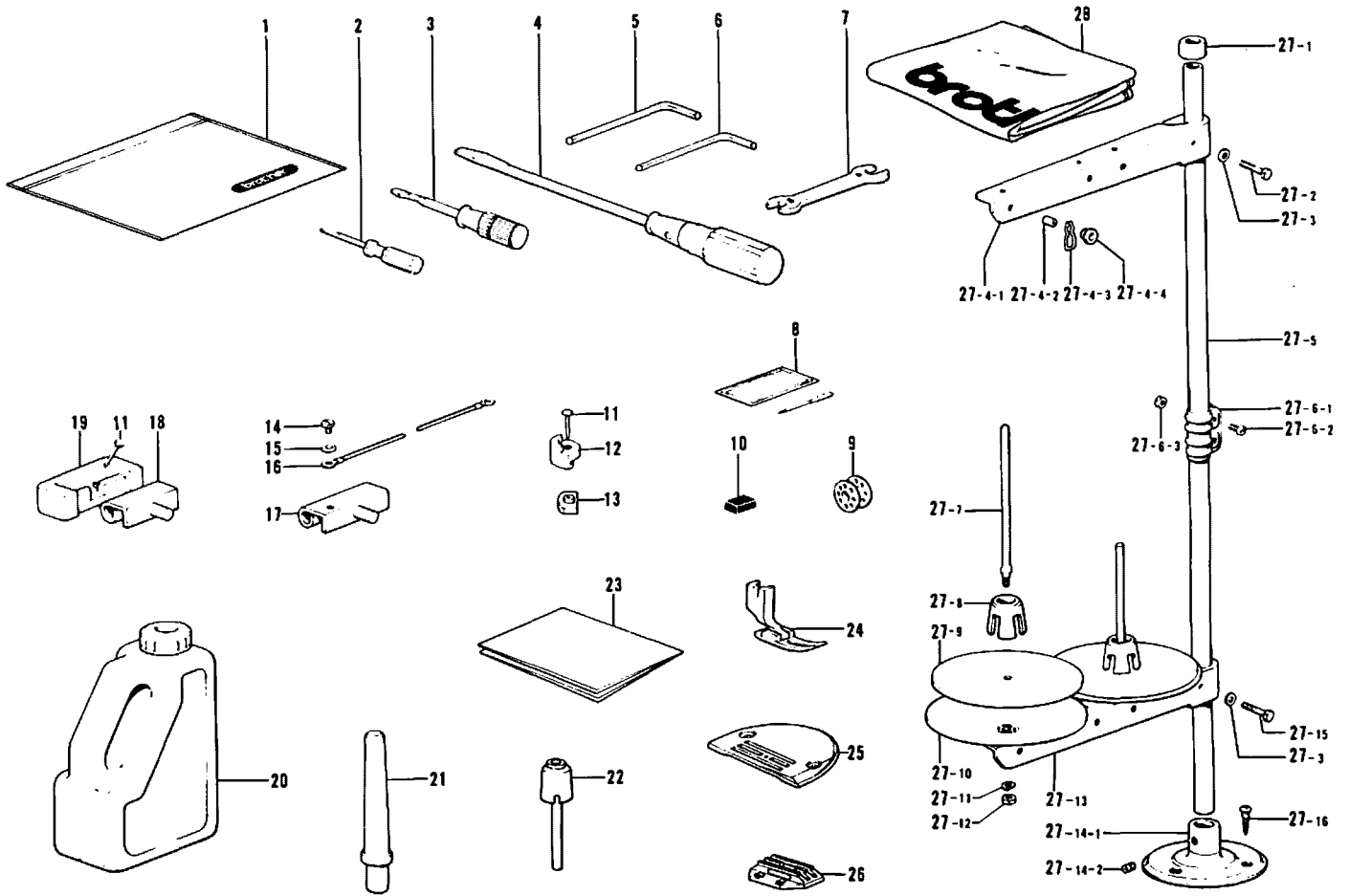
Ref. No.	Name of Parts	Q'ty	Parts No.	Assembly No.	Ref. No.	Name of Parts	Q'ty	Parts No.	Assembly No.
N-1- 1-1	Terminal	4		N-1-1 Power Supply Cord Assembly 153157-0-00	N-1-16	Nut 4	2	021400-1-64	N-1 Solenoid Control Box Assembly
N-1- 1-2	Cable	1			N-1-17	Terminal Pin (Female)	1	143548-0-00	
N-1- 1-3	Terminal Pin (Female)	1	143548-0-00	N-1-18	Nylon Connector 4P	1	143501-0-00		
N-1- 2-1	Nylon Connector 3P	1	143500-0-00	N-1-19	Screw 4 x 10D	4	215080-0-01		
N-1- 2-2	Connector Cap	1	143485-0-01	N-1-20	Screw 4 x 10D	2	215080-0-01		
N-1- 2-3	Terminal Pin (Female)	2	143548-0-00	N-1-21	Circuit Rail	1	153155-0-00		
N-1- 2-4	Cable	1		N-1-22	Printed Circuit Board	1	153156-0-01		
N-1- 2-5	FL Pin RM 5167	2	219600-0-01	N-1-23	FL Pin RM 5167	4	219600-0-01		
N-1- 3-1	Cable	1		N-1-24	Micro Switch Cord Assembly	1	153165-0-00		
N-1- 3-2	Terminal Pin (Male)	2	143549-0-00	N-1-25	Rear Cover	1			
N-1- 3-3	Connector Cap	1	143489-0-01	N-1-26	Insulation Rubber	2	216351-0-01		
N-1- 3-4	Nylon Connector 2P	1	143488-0-00	N-1-27	Washer 3	2	025030-3-35		
N-1- 3-5	FL Pin RM 5167	2	219600-0-01	N-1-28	Screw 3 x 8	2	002300-8-05		
N-1- 4	Screw 4 x 10D	8	215080-0-01	N-1-29	Name Plate	1			
N-1- 5	Front Cover	1		N-1-30	Rivet	2			
N-1- 6	Nut 4	2	021400-1-64	N-2	Staple	10	200190-0-01		
N-1- 7	Washer 4	2	025040-2-33	N-3	Washer 5.2 x 25	6	153164-0-01		
N-1- 8	Transformer 60VA	1		N-4	Rubber Cushion	6	153162-0-00		
N-1- 9	Fuse Holder	1	141033-0-01	N-5	Collar 5.2 x 10 x 11	3	153163-0-01		
N-1-10	Fuse (2A)	1	141032-0-00	N-6	Screw 4.8 x 32	3	031483-2-03		
N-1-11	Bushing	2	146244-0-00	N-7- 1	Nylon Connector 2P	1	143499-0-00		
N-1-12	Bushing #62	1	216365-0-01	N-7- 2	Connector Cap	1	143489-0-01		
N-1-13	Screw 4 x 12	1	002401-2-03	N-7- 3	Terminal Pin (Female)	2	143548-0-00		
N-1-14	Box	1		N-7- 4	Cable	1			
N-1-15	Washer 4	1	025040-2-33						

P. Bobbin Winder Mechanism -900



Ref. No.	Name of Parts	Q'ty	Parts No.	Assembly No.	Ref. No.	Name of Parts	Q'ty	Parts No.	Assembly No.
P- 1	Washer 5.56	2	025750-1-32		P-14- 6	Bobbin Winder Cam Lever	1	157957-0-01	P-14 Belt Cover Assembly 157953-0-01
P- 2	Screw 5.5 x 20	2	100666-0-02		P-14- 7	Needle Bearing	1	147568-0-01	
P- 3	Screw 3.57 x 6	1	001670-6-12		P-14- 8	Bobbin Winder Shaft	1	157960-0-01	
P- 4	Washer 3.5	1	025350-3-32		P-14- 9	Screw 3.57	2	100128-0-02	
P- 5	Bobbin Winder Guide Bracket Assembly	1	145571-1-01		P-14-10	Screw 4.37	1	157958-0-01	
P- 6	Tension Disc	2	145446-0-01		P-14-11	Cam Lever Spring	1	157963-0-01	
P- 7	Tension Spring	1	100401-0-01		P-14-12	Washer	1	157986-0-01	
P- 8	Tension Control Nut	1	100136-0-01		P-14-13	Bobbin Winder Claw	1	142566-0-01	
P- 9	Belt Cover D	1	157971-0-01		P-14-14	Screw 4.37 x 5	2	100366-0-02	
P-10	Screw 3.57	3	100257-0-10		P-14-15	Screw 4.37 x 4.5	1	009689-4-12	
P-11	Belt Cover U	1	157970-0-01		P-14-16	Belt Cover	1		
P-12	Stud	1	157969-0-01		P-14-17	Knife	1	157968-0-01	
P-13	Screw 5.95 x 8	3	009760-8-12		P-14-18	Screw 4.37 x 4.5	1	009689-4-12	
P-14- 1	Bobbin Winder Wheel	1	157961-0-00	P-14 Belt Cover Assembly 157953-0-01	P-14-19	Bobbin Winder Bracket	1	157959-0-01	
P-14- 2	O Ring P62	1	081062-0-90		P-14-20	Spring	1	157967-0-01	
P-14- 3	Washer	2	118735-0-02		P-14-21	Cam Shaft	1	157964-0-01	
P-14- 4	Spring	1	157962-0-01		P-14-22	Bobbin Presser	1	157966-0-01	
P-14- 5	Bobbin Winder Arm	1	157956-0-01		P-14-23	Screw 4.37 x 5	1	100366-0-02	

Z. Accessories



Ref. No.	Name of Parts	Q'ty	Parts No.	Assembly No.	Ref. No.	Name of Parts	Q'ty	Parts No.	Assembly No.
Z- 1	Vinyl Bag	1	122991-0-01		Z-26	Feed Dog	1		
Z- 2	Screw Driver 1.9 x 52	1	142443-0-01		Z-27- 1	Cap	1		
Z- 3	Screw Driver 3.4 x 70	1	118837-0-01		Z-27- 2	Bolt 5 x 28	1	017502-8-03	
Z- 4	Screw Driver 5.5 x 190	1	101572-1-01		Z-27- 3	Washer 5	2	025050-2-33	
Z- 5	Spanner 2	1	146049-0-01		Z-27- 4-1	Spool Holder 2	1	150178-0-01	Z-27-4 Thread Hanger Assembly 2 150192-0-03
Z- 6	Spanner 3	1	142721-0-01		Z-27- 4-2	Thread Bushing	2	142990-0-01	
Z- 7	Spanner 8 x 9	1	100887-0-01		Z-27- 4-3	Thread Guide Spring	2	150184-0-01	
Z- 8	Needle	1			Z-27- 4-4	Thread Hanger	2		
Z- 9	Bobbin				Z-27- 5	Pipe	2	150172-0-01	
Z-10	Magnet	2	112525-0-00		Z-27- 6-1	Joint	1		Z-27-6 Joint for Cotton Stand 150106-0-01
Z-11	Nail	8	109714-0-00		Z-27- 6-2	Screw 5 x 14	2	150202-0-01	
Z-12	Head Cushion	4	146003-1-01		Z-27- 6-3	Nut 5	2	021500-1-03	
Z-13	Oil Pan Cushion	4	146004-0-01		Z-27- 7	Spool Shaft (B)	2	150179-0-01	
Z-14	Screw 4.37 x 6	1	009680-6-13		Z-27- 8	Spool Cushion	2	126863-0-00	
Z-15	Washer 4.37	1	025680-1-33		Z-27- 9	Spool Mat	2	150182-0-00	Z-27 Cotton Stand Assembly 150150-0-03
Z-16	Earth Wire	1	145946-0-01		Z-27-10	Spool Stand Base	2	150180-0-00	
Z-17	Hinge E	1	145945-0-01		Z-27-11	Spring Washer 2-5	2	028050-2-43	
Z-18	Hinge	1	143882-0-01		Z-27-12	Nut 5	2	021500-1-03	
Z-19	Rubber Hinge	2	143910-0-01		Z-27-13	Spool Holder 2	1	150178-0-01	
Z-20	Oil Tank	1	154702-0-01		Z-27-14-1	Cotton Stand Base	1	150189-0-01	Z-27 Cotton Stand Base Assembly 150139-0-01
Z-21	Head Rest	1	100477-0-01		Z-27-14-2	Screw 6 x 10	2	150181-0-01	
Z-22	Knee Lifter Complying Bar	1	145573-0-00		Z-27-15	Bolt 5 x 28	1	017502-8-03	
Z-23	Table Sheet	1	144615-0-01		Z-27-16	Screw 4.5 x 22	3	031452-2-03	
Z-24	Presser Foot Assembly	1			Z-28	Head Cover	1	144222-0-01	
Z-25	Needle Plate	1							

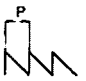
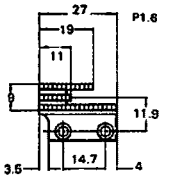
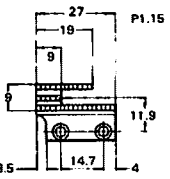
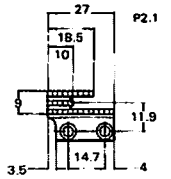
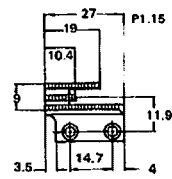
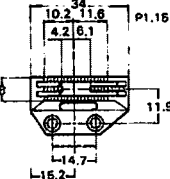
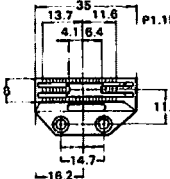
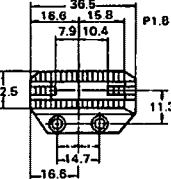
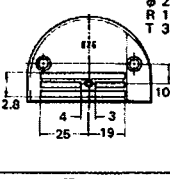
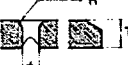
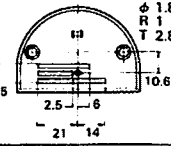
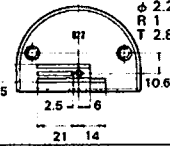
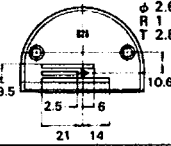
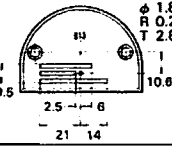
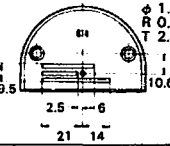
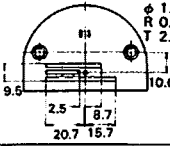
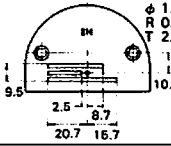
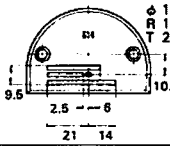
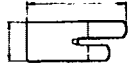
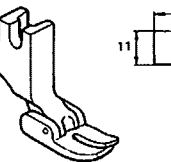
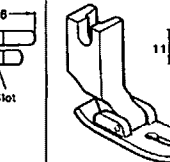
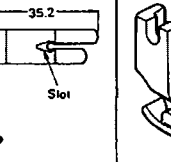
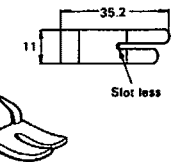
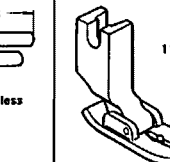
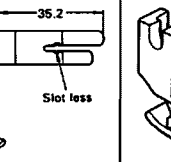
* The details of included accessories are subject to change.

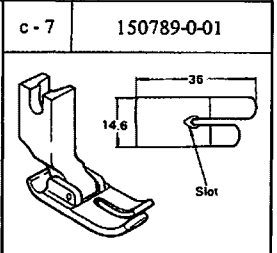
* Les détails des accessoires inclus sont sujets à des changements.

* Änderungen in der Aufstellung der mitgelieferten Zubehör sind vorbehalten.

* Los detalles de los accesorios incluidos pueden variar.

a ~ c. Option Parts List

Feed Dog	a-1	100334-0-01	a-2	117442-0-01	a-3	144500-0-01	a-4	146231-0-01	a-5	155675-0-01	a-6	156113-0-01	a-7	159430-0-01	b-17	150792-0-01
																
																Thin
Needle Plate	b-1	100266-0-01	b-2	100267-0-01	b-3	111241-0-01	b-4	145971-0-01	b-5	146050-0-01	b-6	146232-0-01	b-7	146233-0-01	b-8	147238-0-01
																
	Medium		Thick		Thick		Medium		Thin		Medium		Thin		Thin	
Presser Foot Assembly	c-1	111856-0-01	c-2	113280-0-01	c-3	140957-0-01	c-4	143711-0-01	c-5	145157-0-01	c-6	153037-1-01				
																
Combination Parts	Feed Dog (a)	Needle Plate (b)	Presser Foot Assembly (c)	Feed Dog (a)	Needle Plate (b)	Presser Foot Assembly (c)										
	100344-0-01	100266-0-01	113280-0-01	140957-0-01	100267-0-01	145157-0-01										
		111241-0-01														
		145971-0-01														
		146050-0-01														
		146232-0-01														
		147238-0-01														
		147239-0-01														
		153190-0-01														
	117442-0-01	100266-0-01	113280-0-01	156113-0-01	145114-0-01	113280-0-01 · 140957-0-01 · 153037-1-01										
					145115-0-01											
					145116-0-01											
	159430-0-01			150792-0-01		150789-0-01										



DIFFERENT PARTS LIST



- 3 · Medium Materials
- 5 · Thick Materials
- 1 · Thread Trimmer
- 2 · Thread Trimmer + Thread Wiper
- 4 · Thread Trimmer + Thread Wiper + Quick Back Switch
- 7 · Thread Trimmer + Thread Wiper + Quick Back Switch + Automatic Presser Foot Lifter (Air Type)
- 9 · Thread Trimmer + Thread Wiper + Quick Back Switch + Automatic Presser Foot Lifter (Solenoid Type)

Ref. No.	Name of Parts	Sub-class Motor Spec.	-10□, -20□, -40□, -70□, -90□			
			3		5	
			BROTHER	EFKA	BROTHER	EFKA
A-14	Pre-tension Assembly		183124-0-01		183125-0-01	
A-14-3	Spring		154560-0-01		154562-0-01	
A-34	Tension Regulator Assembly		183175-0-01		183129-0-01	
A-34-8	Tension Spring		104525-0-01		148924-1-01	
B- 1	Needle		100265-0-34 (DBX1 #14)	107415-0-14 (DPX5 #14)	107415-0-22 (DPX5 #22)	
B- 5	Needle Bar Bushing Lower		145468-0-01		142116-0-01	
B- 7	Thread Take-up Lever Assembly		156942-0-01		149313-0-01	
B- 8	Needle Bar		111462-0-01	114908-0-01	145986-0-01	
B-22	Counter Weight		158689-0-00		154766-0-00	
B-39	Needle Plate		145971-0-01 (B18)		147245-0-01 (B26)	
B-46	Bobbin Case Holder Position Bracket		100367-0-01		159324-0-01	
B-48	Rotary Hook Assembly		153131-0-01		155690-0-01	
C-62	Feed Dog		100334-0-01		144500-0-01	
D- 4	Presser Foot Assembly		153037-0-01		145157-0-01	
Z- 8	Needle		100265-0-34 (DBX1 #14)	107415-0-14 (DPX5 #14)	107415-0-22 (DPX5 #22)	
Z-24	Presser Foot Assembly		140957-0-01			
Z-25	Needle Plate		156116-0-01 (B18)		150792-0-01 (H26)	
Z-26	Feed Dog		156113-0-01		159430-0-01	
B-45	Bobbin		146290-0-01		117132-0-01	
Z- 9	Bobbin		146290-0-01		117132-0-01	
Z- 9	Bobbin	Q'ty	3		4	

Ref. No.	Name of Parts	Sub-class		-10		-20		-40		-70		-90			
		Motor spec.		3	5	3	5	3	5	3	5	3	5		
				EFKA		BROTHER		EFKA		BROTHER		EFKA		BROTHER	
C-12	Lever Regulator Connecting Rod Assembly	158021-0-01		156960-0-01											
D- 2	Washer 3.5	150384-0-01				025350-1-32				025350-1-32				025350-1-32	
D- 3	Finger Guard	025350-1-32				150384-0-01				150384-0-01				150384-0-01	
D-16	Presser Bar Lifter Crank	145483-0-01		156945-0-01		145483-0-01				156945-0-01					
D-20	Tension Release Plate Assembly	145689-0-01								147198-0-01					
D-25	Spring	145475-1-01								147197-1-01					
D-31	Knee Lifter Assembly	181427-0-01													
E-26	Oil Pan Assembly	181420-2-01													
F- 7	Connector Cap 5			153971-1-00				153971-1-01				153971-1-01			
F- 9	Nylon Connector 12P			153969-0-00				153969-0-00				153969-0-00			
F-27	Wire Bushing	157984-0-01								146020-0-01					
F-28	Tension Release Wire Holder D	154606-0-01													
F-30	Thread Trimming Solenoid	156626-0-01		154597-0-01		156626-0-01		154597-0-01		156626-0-01		154597-0-01		156626-0-01	
F-33	Screw 3.57 x 8	009670-8-12													
F-64	Tension Release Wire Holder A									157952-0-01					
F-65	Screw 3.57 x 8									001670-8-12					
G- 1	Synchronizer Assembly #8			222379-0-01				222379-0-01				222379-0-01			
G- 8	Slip Ring Support	148825-0-01				148825-0-01				148825-0-01				148825-0-01	
H- 3	Thread Wiper Solenoid Assembly	158381-0-01		156988-0-01		158381-0-01		156988-0-01		158381-0-01		156988-0-01		158381-0-01	
H- 3-2	Terminal Pin (Male)			143549-0-00				143549-0-00				143549-0-00			
H- 8	Holder	140647-0-01													
H-26	Holder L									142268-0-01					
J- 6	Reverse Switch Assembly			151185-0-01		154206-0-00		151185-0-01		154206-0-00		151185-0-01		154206-0-00	
J- 6-3	Terminal Pin (Male)			143549-0-00				143549-0-00				143549-0-00			
J-24	Reverse Solenoid Assembly			158379-0-01		156977-0-01		158379-0-01		156977-0-01		158379-0-01		156977-0-01	
J-24-5	Terminal Pin (Male)			143549-0-00				143549-0-00				143549-0-00			
N- 1	Solenoid Control Box Assembly									154294-0-01		154292-0-01		154294-0-01	
N- 1-8	Transformer 60VA									154296-0-01		153431-0-01		154296-0-01	
N- 7	Cord Assembly									154196-0-01				154196-0-01	
F-35	Screw 3.57 x 6 Q'ty	001670-6-12													

INDEX

Parts No.	Ref. No.	Remark	Parts No.	Ref. No.	Remark	Parts No.	Ref. No.	Remark	Parts No.	Ref. No.	Remark
001670-5-12	H-14		017502-8-03	Z-27- 2		100251-0-01	B-29- 4		107415-0-22	Z- 8	
	F- 8			Z-27-15			B-58- 2		108520-0-01	A-23	
	P- 3			017761-4-12	M- 1-23			B-58- 4		108549-0-01	C- 6- 2
			017762-0-13	D-31- 2			F-51		108804-0-01	E- 3	
001670-6-12	F-35			K- 5-11		100257-0-10	E-15		108960-0-02	C-21	
001670-8-12	F-65		021080-3-02	M- 1-30			P-10			F-15	
001671-0-12	D- 1		021400-1-64	L- 1- 8		100265-0-34	B- 1		109151-1-01	C- 6- 1	
002300-8-05	N- 1-28			N- 1- 6			Z- 8		109153-0-01	C-49	
002401-0-03	L- 1-12			N- 1-16		100266-0-01	b- 1		109173-0-01	B-41	
002401-2-03	N- 1-13		021500-1-03	Z-27- 6- 3		100267-0-01	b- 2		109405-0-01	C-64	
002501-0-03	K- 1- 1			Z-27-12						E- 1- 2	
007300-5-12	H- 1		021660-1-02	A-36		100328-0-01	C- 7		109714-0-00	Z-11	
007300-6-12	H- 6		025030-1-35	G- 1- 7		100334-0-01	C-62		109763-0-02	D-22	
007670-5-13	C-32		025030-3-35	G- 1- 3			a- 1		110087-0-01	D-31- 6	
009670-5-12	E- 2			N- 1-27		100366-0-02	P-14-14			L- 1- 5	
009670-5-13	E- 6		025040-1-35	G- 1-10			P-14-23		110161-0-04	F-36	
009670-6-12	A-31		025040-2-33	L- 1-11		100367-0-01	B-46		110201-0-01	F-40	
	B-17			N- 1- 7		100374-0-01	B-44- 1			G- 5	
	F- 4		025040-2-33	N- 1-15		100398-0-01	A-34- 5		110367-0-01	B-20	
	F-63		025040-3-35	G- 1-12		100401-0-01	P- 7			F-45	
	H- 7			G- 1-20		100402-0-04	A-34- 1		111241-0-01	b- 3	
	J- 7		025050-2-33	Z-27- 3		100463-0-01	D-31- 4		111443-0-03	H- 9	
	J-20		025060-2-32	M- 1-22			K- 5-18		111462-0-01	B- 8	
	A-17		025060-3-32	C-30			L- 1- 4		111466-0-01	D- 7	
	E-22- 9		025100-1-32	C-25		100477-0-01	Z-21		111863-0-01	B- 9	
	F-33		025350-1-32	D- 2		100573-0-01	B- 4		111856-0-01	c- 1	
009671-0-12	A- 1		025350-3-32	P- 4		100645-0-03	F-13		111865-0-01	A-11	
009671-8-12	A- 3		025680-1-33	Z-15			F-55			C-57	
009679-3-12	C-85		025750-1-32	P- 1			H-22		112467-0-02	E-22- 1	
009680-6-12	E-19		028040-2-43	L- 1- 9		100666-0-02	P- 2		112525-0-00	Z-10	
009680-6-13	Z-14		028050-2-43	K- 1- 2		100887-0-01	Z- 7				
009680-7-12	A- 9			Z-27-11		101118-0-01	K- 2		113280-0-01	c- 2	
	E-25		028060-2-42	K- 5-22		101487-0-00	B-32		113730-0-01	H-24	
	F-12		031452-2-03	Z-27-16		101572-1-01	Z- 4		113782-0-00	C-68	
009680-8-12	G- 7		031483-2-03	N- 6		101706-0-01	B-54- 2		114294-0-01	A-34- 3	
009681-0-12	H- 5		034422-5-03	L- 2			B-61- 2		114561-0-01	B-38- 3	
	J-10		047200-6-42	C-16- 2			C-73- 2		114908-0-01	B- 8	
009681-2-12	B-47		048030-3-42	F- 3			C-76- 2		114966-0-01	D-31- 7	
	C-63			M- 1-25			J-22		114967-0-01	D-31- 5	
	C-78		048040-3-42	D-24		101706-0-03	M- 1-13			L- 1- 6	
	J-16			J- 1		102571-0-03	F-62		116112-0-01	A-37	
009681-6-12	C-81- 2			M- 5-15		J- 4		116794-0-01	E-20		
009689-4-12	P-14-15			M- 1- 9		102630-0-01	B-16		117007-0-01	C-87	
	P-14-18		048060-3-42	C-42			M- 1-10		117132-0-01	B-45	
009711-4-12	C-39			F-46		102716-0-01	B-50			Z- 9	
	C-74			J-24- 1		103950-0-03	A-32		117242-0-01	B-10	
	F-22		048070-3-42	C-11		104449-0-01	A- 2				
	G- 2		048080-3-42	C-24			A- 8		117442-0-01	a- 2	
	M- 1-24		048090-3-42	H-19		104450-0-01	A- 6		118672-0-01	A-26	
009760-8-12	P-13		048150-1-42	D-15		104451-0-01	A-21		118734-0-01	C-47	
009761-2-12	M- 1- 9			C-84		104464-0-01	B-19		118735-0-01	C-46	
	M- 1-21		081001-6-70	D-15		104520-0-00	B-56		118735-0-02	P-14- 3	
009781-4-12	J-17			D-18		104525-0-01	A-34- 8		118758-0-01	C-17	
009781-81-2	C-31		081007-0-70	E-26- 3		104547-0-01	E-13		118761-0-00	B-52	
013670-7-12	F-11			M- 5- 3		104564-0-01	C-23		118762-0-00	B-53	
013710-5-12	D-14			M- 1- 4		104566-0-01	C-66		118837-0-01	Z- 3	
013760-6-10	B-26		081014-6-70	E-12		104619-0-02	D-31- 3		121007-0-01	J- 3	
	B-36		081062-0-90	P-14- 2		104821-0-01	A- 7		122771-0-02	B-38- 2	
	D- 6- 2		100022-0-04	E-26-8		104829-1-01	A-42		122991-0-01	Z- 1	
013760-6-12	M- 1-15			K- 5-13		104830-1-01	A-41		126863-0-00	Z-27- 8	
013761-4-10	B-34		100032-0-04	B-40		104832-0-01	A-20		140004-0-01	B- 7- 2	
	B-59		100080-0-03	C-61		104885-0-01	E-26- 9		140378-0-01	B-29	
	C-18- 2		100128-0-02	D-17			K- 5-14		140381-0-01	B-58	
013781-0-12	B-11			P-14- 9				140407-0-01	D- 8		
014680-4-22	C-43		100134-0-01	A-34- 7		105234-0-03	F-48		140480-0-01	E-26- 5	
	C-44		100136-0-01	A-34- 9		107149-0-01	B-14			K- 5- 5	
014680-4-22	H-10			P- 8		107155-0-01	B-57			M- 1-17	
014680-6-22	F-42		100251-0-01	B-23		107415-0-14	B- 1		140503-0-01	D-31- 8	
014771-0-22	F-24			B-28- 2			Z- 8		140518-0-01	E-26- 2	
015771-0-12	C-27			B-29 -2		107415-0-22	B- 1			K- 5- 2	

Parts No.	Ref. No.	Remark	Parts No.	Ref. No.	Remark	Parts No.	Ref. No.	Remark	Parts No.	Ref. No.	Remark
140518-0-01	M- 1- 3		144741-0-01	A-34- 2		146094-0-01	H-15		150342-0-01	C-58	
140540-0-00	K- 1-12		144869-0-01	E-22- 7		146118-0-00	L- 1- 1- 4		150384-0-01	D- 3	
140543-0-00	K- 1-15		144872-0-01	E-24		146119-0-00	L- 1- 1- 3		150551-0-00	A-33	
140553-1-02	B- 3		144874-0-01	E-22- 8		146124-0-01	J- 2		151074-0-01	E-14	
140627-0-01	K- 5- 16		144875-0-01	E-22- 3		146157-0-01	K- 5-23		151126-1-01	K- 1	
140647-0-01	H ² 8		144876-0-01	E-22- 2		146196-0-01	E-23		151127-1-00	K- 1- 8	
	J-19		144878-0-01	E-22- 4		146231-0-01	a- 4		151147-0-01	K- 1- 3	
140668-0-01	K- 5-17		145157-0-01	D- 4		146232-0-01	b- 6		151153-1-01	K- 1-11	
140682-0-01	K- 1-10			c- 5		146233-0-01	b- 7		151154-0-00	K- 4	
140704-0-01	A-27		145446-0-01	A-34- 6		146244-0-00	N- 1-11		151185-0-01	J- 6	
140726-0-00	B-27			P- 6		146253-0-00	E-16		151308-0-01	C-13	
140885-0-04	A-10		145455-0-02	A-18		146288-0-01	H-13			C-14	
140957-0-01	c- 3		145459-1-01	B-24		146293-0-01	E-26-13		151317-0-01	C-29	
141032-0-00	N- 1-10		145465-0-01	B- 7- 5			K- 5- 9		151507-0-01	C- 6- 4	
141033-0-01	N- 1- 9		145472-0-01	D- 5			M- 1- 6		151594-0-01	B- 2	
141189-0-01	C-65		145474-0-01	D-19		146314-0-00	E-10		151601-0-02	C- 1	
141207-0-01	D-12		145475-1-01	D-25		146327-0-01	B-13			C-38	
141208-0-01	D-10		145478-0-01	D-21		146331-0-01	B-30			C-48	
141351-0-01	M- 1-14		145479-0-01	D-29		146333-0-01	B-12			C-75	
141728-0-01	D- 9		145480-0-01	D-28		146367-0-01	E-26-10		151602-0-02	A-13	
142026-0-01	L- 1- 7		145481-0-01	D-30			K- 5-12		151603-0-02	B-51	
142027-0-01	L- 1- 3		145482-0-01	D-13		146985-0-01	K- 5-20		151604-0-01	C- 4	
142037-0-00	K- 1-13		145483-0-01	D-16		146986-0-01	K- 5-19			C-16- 3	
142038-0-01	K- 1-14		145502-0-01	C- 8		147141-0-01	K- 5-21		151605-0-01	C- 9	
142116-0-01	B- 5		145512-0-01	C-81		147197-1-01	D-25		151607-0-01	B-55	
142268-0-01	H-26		145516-0-01	B-37		147198-0-01	D-20			F-23	
142274-0-01	A-40		145519-0-01	A-34- 4		147238-0-01	b- 8		151987-0-01	F-57	
142443-0-01	Z- 2		145522-0-01	A-30		147239-0-01	b- 9		153037-1-01	D- 4	
142566-0-01	P-14-13		145523-0-02	A- 4		147245-0-01	B-39			c- 6	
142708-0-00	B-35		145524-0-01	A-35			b-10		153116-0-00	M- 1-16	
142709-0-00	B-60		145527-0-00	A- 5		147322-0-01	b-11		153117-0-01	M- 1-18	
142721-0-01	Z- 6		145528-0-00	A-19		147496-0-00	E- 9		153120-0-01	M- 1-20	
142746-0-02	C- 6- 5		145529-0-00	E-11		147504-0-01	C-26		153121-0-01	M- 1-26	
142747-0-02	C- 6- 6		145534-0-01	E-21		147557-0-01	A-15		153122-0-00	M- 1-28	
142990-0-01	Z-27- 4- 2		145538-0-01	C-86		147568-0-01	P-14- 7		153123-0-01	M- 1-27	
143484-0-00	M- 1-18- 4		145543-0-01	E- 8		147767-0-01	C-59		153124-0-01	M- 1-31	
143485-0-01	M- 1-18- 3		145547-0-01	E- 5		147846-0-01	D-11		153127-0-01	M- 1- 7	
	N- 1- 2- 2		145571-1-01	P- 5		148350-1-01	B-44		153128-0-01	M- 1- 8	
143488-0-00	N- 1- 3- 4		145573-0-00	Z-22		148512-0-00	H-18		153130-0-01	M- 1	
	K- 1- 6		145580-0-01	D-23		148518-0-00	H-20		153131-0-01	B-48	
143489-0-01	K- 1- 5		145597-0-01	G- 6		148537-0-01	F-60		153132-0-00	A-22	
	L- 1- 1- 2-2		145624-0-00	B-21		148546-0-01	H-23		153155-0-00	N- 1-21	
	N- 1- 3- 3		145688-0-00	B-18		148822-0-01	B-33		153156-0-01	N- 1-22	
	N- 7- 2		145689-0-01	D-20		148825-0-01	G- 8		153157-0-00	N- 1- 1	
143499-0-00	L- 1- 1- 2-1		145691-0-01	D-26		148848-0-01	E-22- 5		153159-0-01	N- 1- 2	
	N- 7- 1		145737-0-01	E- 7		148849-0-01	E-22- 6		153160-0-01	N- 1- 3	
143500-0-00	N- 1- 2- 1		145751-0-01	B-42		148924-1-01	A-34- 8		153162-0-00	N- 4	
143501-0-00	N- 1-18		145945-0-01	Z-17		148967-1-01	B-44- 5		153163-0-01	N- 5	
143548-0-00	L- 1- 1- 2-3		145946-0-01	Z-16		149135-1-01	F- 6		153164-0-01	N- 3	
	N- 1- 1- 3		145971-0-01	B-39		149313-1-01	B- 7		153165-0-00	N- 1-24	
	N- 1- 2- 3			b- 4		149578-0-00	E-26- 6		153168-0-01	C- 6- 3	
	N- 1-17		145986-0-01	B- 8			K- 5- 6		153190-0-01	b-12	
	N- 7- 3		146003-1-01	Z-12			M- 1- 5		153198-0-01	M- 1-12	
143549-0-00	H- 3- 2		146004-0-01	Z-13		149580-0-01	E-26- 4		153245-0-01	M- 1-11	
	J- 6- 3		146020-0-01	F-27		149581-0-01	K- 5- 4		153431-0-01	N- 1- 8	
	J-24- 5		146036-1-01	E-26-12			M- 1- 1		153483-0-01	A-38	
	K- 1- 7		146037-0-01	E-26- 7		149799-0-00	L- 1- 2		153969-0-00	F- 9	
	M- 1-18- 5			K- 5- 7		150106-0-01	Z-27- 6		153971-0-01	F- 7	
	L- 1- 1- 1-2		146038-0-01	E-26-11		150139-0-01	Z-27-14		154169-0-01	L- 1	
	L- 1- 1- 2-5		146039-0-01	D-31- 1		150150-0-03	Z-27		154170-0-01	L- 1-10	
	N- 1- 3- 2			K- 5-10		150172-0-01	Z-27-5		154172-0-01	L- 1- 1- 2	
143711-0-01	c- 4		146040-0-01	E-26- 1		150178-0-01	Z-27-13		154196-0-01	N- 7	
143882-0-01	Z-18			K- 5- 1		150179-0-01	Z-27- 7		154206-0-00	J- 6	
143910-0-01	Z-19			M- 1- 2		150180-0-00	Z-27-10		154214-0-01	K- 1- 9	
144222-0-01	Z-28		146049-0-01	Z- 5		150181-0-01	Z-27-14- 2		154215-0-01	K- 1- 4	
144458-0-01	C-36		146050-0-01	b- 5		150182-0-00	Z-27- 9		154292-0-01	N- 1	
144500-0-01	C-62		146064-0-00	C-67		150184-0-01	Z-27- 4- 3		154294-0-01	N- 1	
	a- 3		146069-0-01	K- 5- 8		150189-0-01	Z-27-14- 1		154296-0-01	N- 1- 8	
144504-0-01	A-14- 2		146080-0-00	J-11		150192-0-03	Z-27- 4		154367-0-00	L- 1- 1- 1	
144615-0-01	Z-23		146092-0-01	H-12		150202-0-02	Z-27- 6- 2		154368-0-01	L- 1- 1	

Parts No.	Ref. No.	Remark	Parts No.	Ref. No.	Remark	Parts No.	Ref. No.	Remark	Parts No.	Ref. No.	Remark
154550-0-01	D-27		156948-0-01	C-20		158722-0-01	C-60				
154552-0-01	B-43		156949-0-01	C-19		158726-0-01	E- 4				
154554-0-01	B-49		156950-0-00	C-45		158727-0-01	B-15				
154559-0-01	A-14- 1		156951-0-01	C-40		159324-0-01	B-46				
154560-0-01	A-14- 3		156952-0-01	C-34		180018-0-01	B-38				
154562-0-01	A-14- 3		156954-0-01	C-35		180321-0-01	C-73				
154563-0-01	A-12		156956-0-01	C-37			C-76				
154566-0-01	F-26		156957-0-01	C-70		181420-2-01	E-26				
154567-0-00	F-25		156958-0-01	C-71		181427-0-01	D-31				
154568-0-01	F-16		156960-0-01	C-12		181430-2-01	K- 5				
154569-0-01	F-14		156966-0-01	C-41		181476-1-01	E-22				
154570-0-01	F-61		156967-0-01	C- 5		181482-1-01	C- 6				
154571-0-01	F-56		156968-0-01	C- 3		181639-0-01	E- 1				
154574-0-01	F-54		156969-0-01	C- 2		181916-0-01	B-28				
154575-0-01	F-59		156970-0-01	C-10		181919-0-01	D- 6				
154576-0-01	F-58		156971-0-00	C-15		181937-0-01	B-44- 2				
154577-0-01	F-17		156972-0-01	C-33		181938-0-01	B-44- 3				
154578-0-00	F-18		156973-0-01	C-22		181995-0-01	B-54				
154579-0-01	F-19		156974-0-01	C-28			B-61				
154580-0-01	F-21		156975-0-01	C-16		183124-0-01	A-14				
154581-0-01	F-20		156977-0-01	J-24		183125-0-01	A-14				
154582-0-01	F-49		156979-0-01	J-23		183129-0-01	A-34				
154590-0-01	F-50		156980-0-01	J-25		183175-0-01	A-34				
154593-0-01	F-37		156981-0-01	J-14		200190-0-01	K- 3				
154594-0-00	F-53		156982-0-01	J-13			N- 2				
154595-0-01	F-52		156983-0-01	J-18		215080-0-01	G- 1-11				
154596-0-00	F-44		156984-0-01	J-15			G- 1-21				
154597-0-01	F-30		156985-0-01	J-21			N- 1- 4				
154598-0-01	F-31		156986-0-01	E-17			N- 1-19				
154599-0-00	F-41		156988-0-01	H- 3			N- 1-20				
154600-0-01	F-43		156990-0-01	H-25		215083-0-01	G- 1- 2				
154601-0-01	F-47		156991-0-01	H- 4			G- 1- 8				
154602-0-01	F- 2		156992-0-01	H- 2		216332-0-01	G- 4				
154603-0-01	F- 1		156993-0-01	H-21		216351-0-01	N- 1-26				
154606-0-01	F-28		156994-0-01	H-11		216365-0-01	N- 1-12				
154607-0-01	F-34		156995-0-01	H-16		217093-0-01	G- 1-13				
154608-0-01	F- 5		156996-0-01	H-17		218944-0-01	G- 3				
154702-0-01	Z-20		156997-0-01	J- 5		219557-0-00	G- 1-14				
154766-0-00	B-22		156998-0-01	J- 8		219558-0-00	G- 1-15				
155510-0-01	A-14- 4		156999-0-01	J-12		219559-0-01	G- 1-16				
155558-0-01	F-39		157951-0-01	F-29		219600-0-01	N- 1- 2- 5				
155559-0-01	F-38		157952-0-01	F-64			N- 1- 3- 5				
155578-0-00	F-10		157953-0-01	P-14			N- 1-23				
155675-0-01	a- 5		157956-0-01	P-14- 5		219696-0-00	G- 1- 6				
155676-0-01	b-13		157957-0-01	P-14- 6		221421-0-01	G- 1-17				
155690-0-01	B-48		157958-0-01	P-14-10		222379-0-01	G- 1				
156113-0-01	Z-26		157959-0-01	P-14-19							
	a- 6		157960-0-01	P-14- 8		150792-0-01	Z-25				
156114-0-01	b-14		157961-0-00	P-14- 1			b-17				
156115-0-01	b-15		157962-0-01	P-14- 4		159430-0-01	Z-26				
156116-0-01	Z-25		157963-0-01	P-14-11			a- 7				
	b-16		157964-0-01	P-14-21		150789-0-01	c- 7				
156240-0-01	C-69		157966-0-01	P-14-22		140957-0-01	Z-24				
156241-0-01	C-72		157967-0-01	P-14-20		145468-0-01	B- 5				
	C-77		157968-0-01	P-14-17		146290-0-01	B-45				
156242-0-01	C-53		157969-0-01	P-12			Z- 9				
	C-82		157970-0-01	P-11		150178-0-01	Z-27- 4- 1				
156243-0-01	C-52		157971-0-01	P- 9							
	C-83		157981-0-00	J-24- 4							
156244-0-00	C-55		157982-0-00	J-24- 2							
156246-0-01	C-54		157983-0-01	E-18							
156249-0-01	C-80		157984-0-01	F-27							
156250-0-01	C-79		157985-0-01	F-32							
156479-0-00	J-12- 2		157986-0-01	P-14-12							
156626-0-01	F-30		157999-0-01	J- 9							
156641-0-01	B-31		158021-0-01	C-12							
156941-0-01	B-25		158379-0-01	J-24							
156942-0-01	B- 7		158381-0-01	H- 3							
156945-0-01	D-16		158677-0-01	K- 1-29							
156946-0-01	C-18		158689-0-00	B-22							

brother.

117-707
195707-0-02
June, 1982
Printed in Japan

From the library of: Superior Sewing Machine & Supply LLC